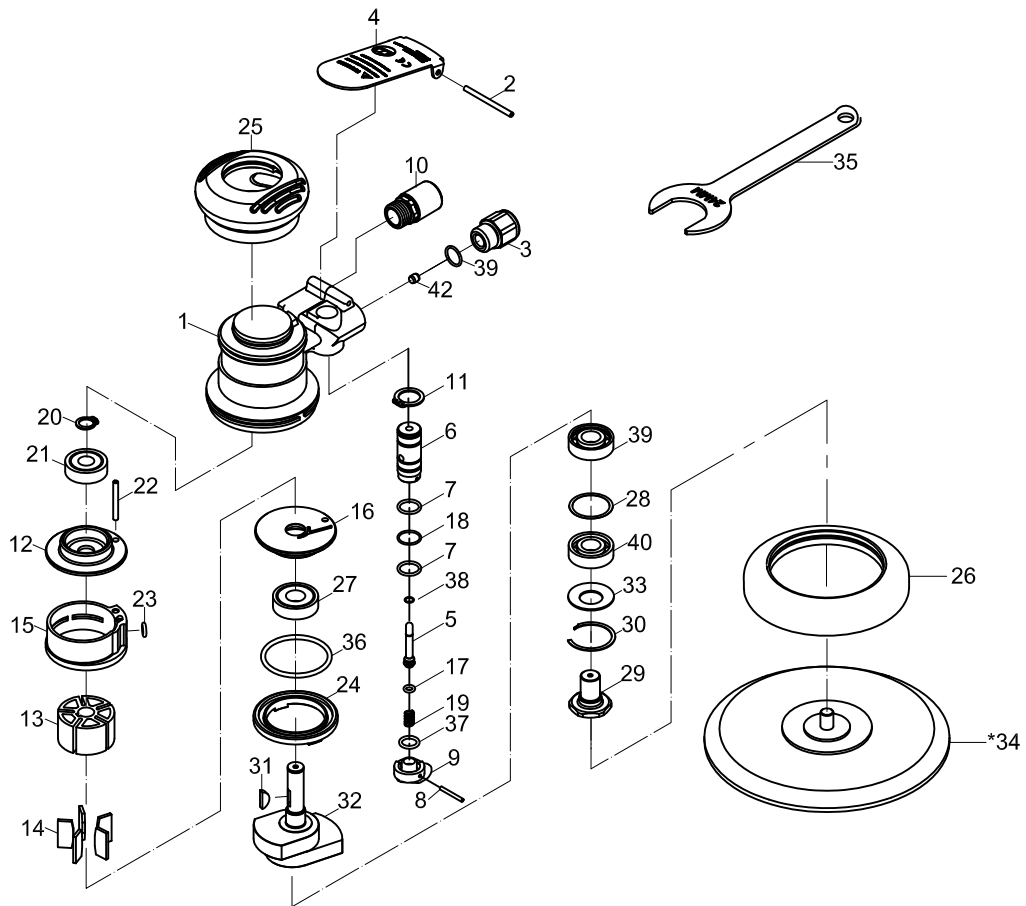


6" PALM SANDER



Index No.	Parts No.	Description	Index No.	Parts No.	Description
1	66-6133C01	Housing	22	SP03002800	Spring Pin (3×28)
2	SP03004000	Spring Pin (3×40L)	23	OR00500200	O-Ring (5×2)
3	66-6133C03	Air Inlet	24	66-6133C29	Lock Ring
4	66-6133C04	Throttle Lever	25	66-6133C30	Grip Hat
5	66-6133C05	Shaft	26	66-613331	Shroud
6	66-6133C06	Bushing	27	06001ZZ	Ball Bearing (6001ZZ)
7	OR01007105	O-Ring(2) (10.7×1.5)	28	66-6132A13	Washer
8	51542	Spring Pin (2×18L)	29	66-6132A34	Shaft
9	66-6133C10	Regulator	30	60-613135	Snap Ring
10	66-6133C26-11S	Silencer	31	61934	Key (3×13)
11	STW14	Retaining Ring (STW-14)	32	66-6132A37	Balancer Shaft
12	66-6133C14	Rear End Plate	33	60-613139	Washer
13	66-6132A15	Rotor	*34	610227V-61	Pad (6")
14	66-6132A16	Rotor Blade(5)	35	66-6132A54	Spanner
15	66-6133C18	Cylinder	36	OR03904301	O-Ring (39.4×3.1)
16	66-6133C19	Front End Plate	37	40130	O-Ring (8.8×1.7)
17	OR00307108	O-Ring (3.68×1.78)	38	OR00200100	O-Ring (2×1)
18	52236	O-Ring (10.5×1)	39	82247	O-Ring (13.5×1.5)
19	66-6133C08	Spring	40	06001	Ball Bearing (6001)
20	66-6132A12	Retainer Ring	41	06001P	Ball Bearing (6001P)
21	06000ZZ	Ball Bearing (6000ZZ)	42	66-6133C22	Stopper

* optional part

66-6133-0001