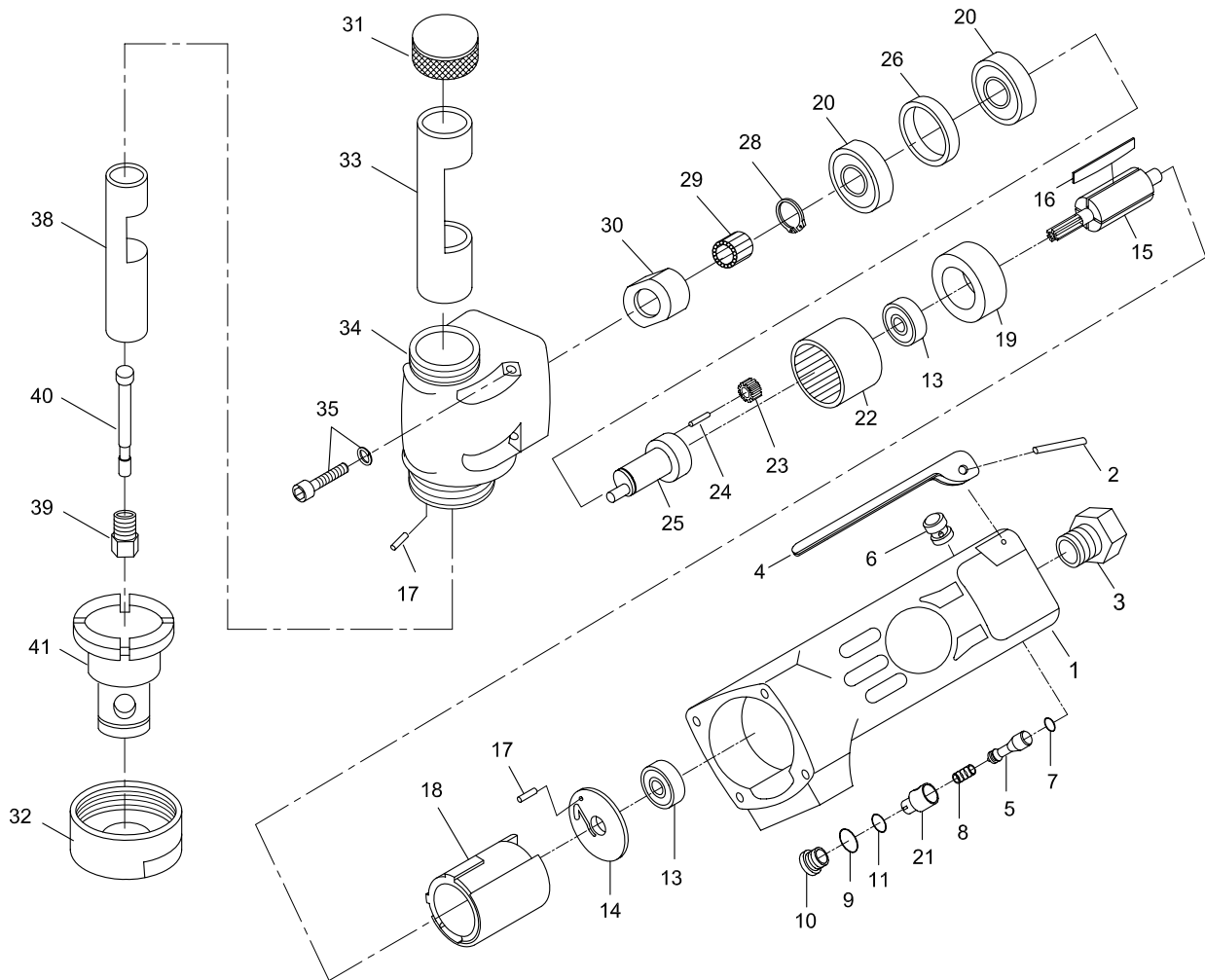


# AIR NIBBLER



Index No.	Parts No.	Description	Index No.	Parts No.	Description
1	20301	Motor Housing	21	51221	Air Regulator
2	30102	Lever Pin (3x24L)	22	80222	Internal Gear
3	30103	Inlet Bushing	23	80223	Idler Gear (3)
4	30104	Throttle Lever	24	30124	Pin (3) (4x13.8L)
5	51705	Valve Stem	25	20325	Crank Shaft
6	51706	Anvil Bushing	26	20326	Spacer
7	70107	O-Ring (4.8x1.9)	28	20328	Retaining Ring (STW-17)
8	51208	Valve Spring	29	20329	Needle Roller (13) (3x9.8L)
9	70123	O-Ring (11.8x2.4)	30	20330	Cam
10	51210	Throttle Valve Plug	31	20331	Head Cap
11	40305	O-Ring (6.5x2)	32	20332	Lock Nut
13	030113	Ball Bearing (2) (626ZZ)	33	20333	Guide Bushing
14	20314	Rear End Plate	34	20334	Head
15	70615	Rotor	35	40144	Screw (4) (M4x25L)
16	51216	Rotor Blades (4)	38	21338	Slide Spindle
17	70117	Pin (2) (2x5L)	39	21339	Screw
18	70118-22	Cylinder	40	21340	Punch
19	70619	Front End Plate	41	21341	Die
20	020320	Ball Bearing (2) (6003z)			