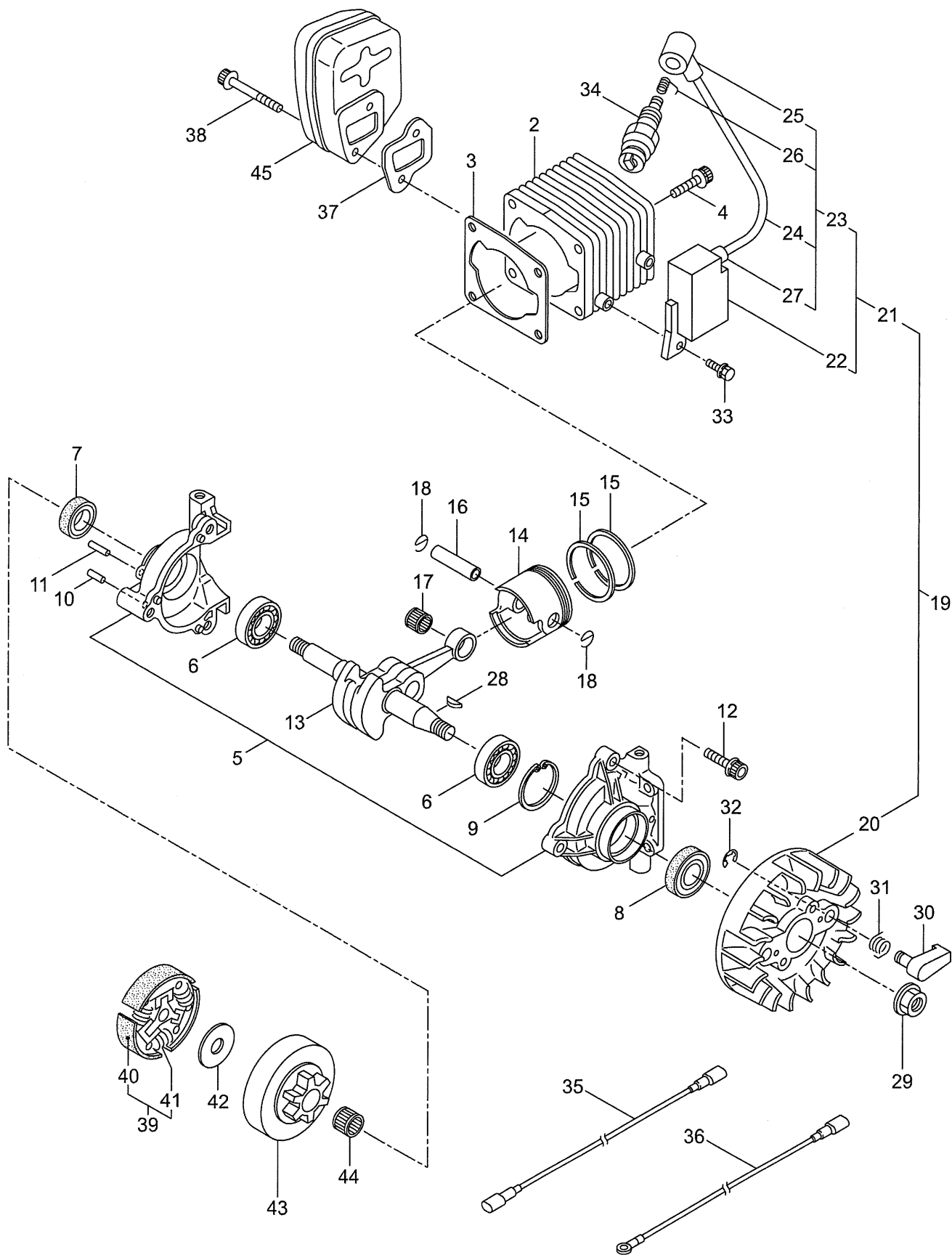
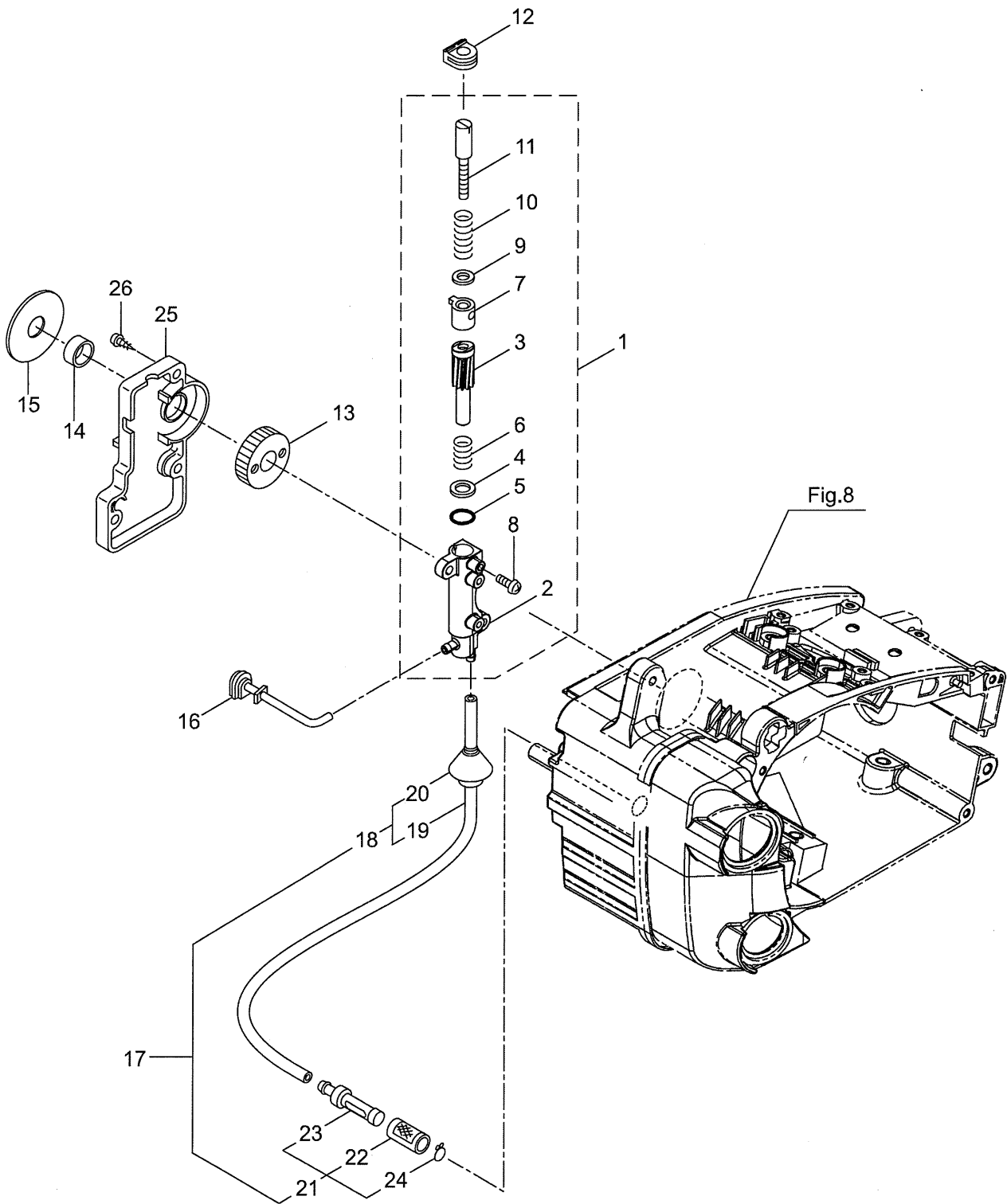


2. MCV3100
ENGINE



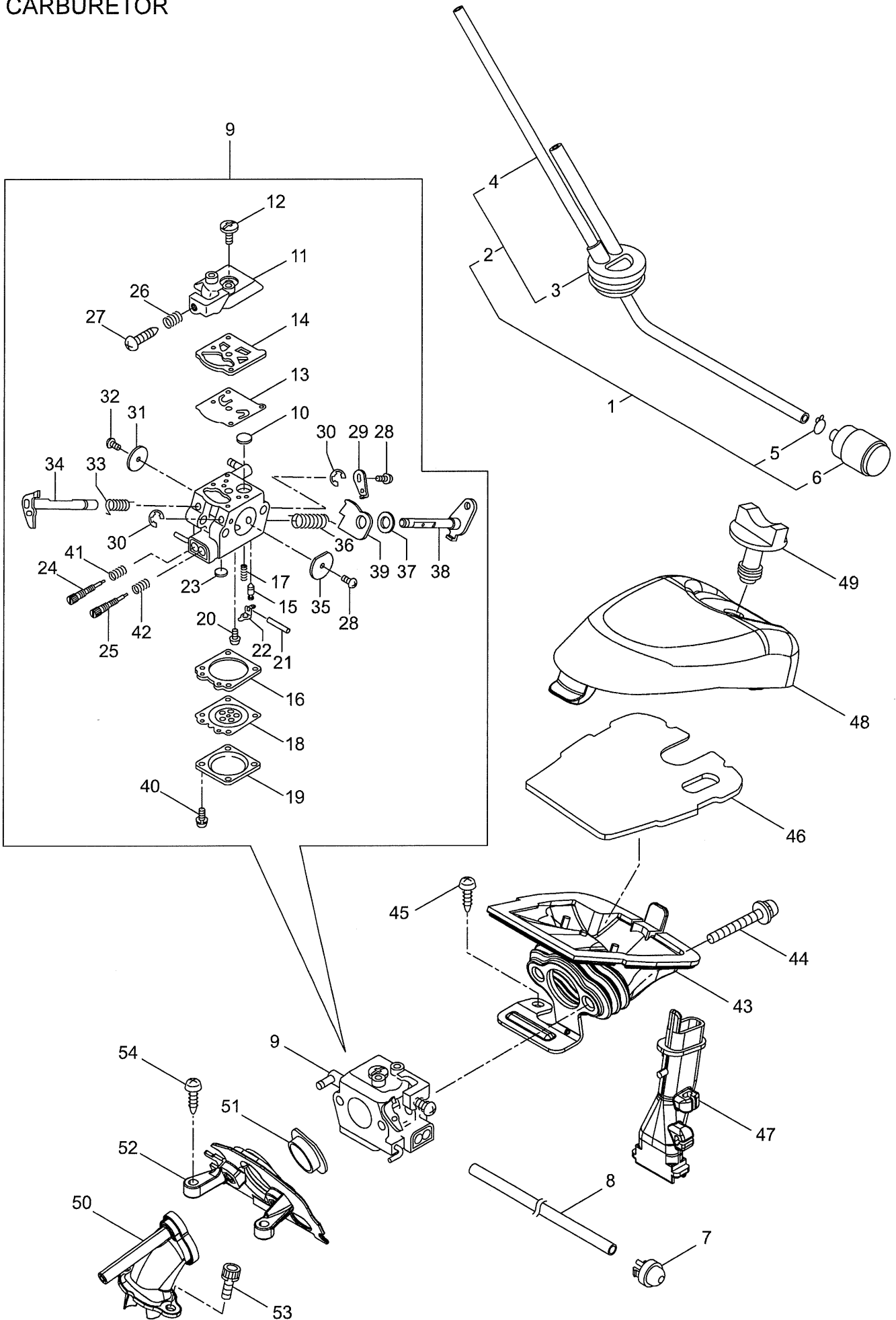
Ref. No.	Part No.	Part Name	Q'ty			Remarks
			3100T	3100TS	3100	
2-1	362707	MCV3100			1	
2-2	287010	Cylinder Ass'y			1	
2-3	285541	Gasket			1	
2-4	261250	Bolt			4	M5X20WSW
2-5	286011	Crankcase			1	
2-6	285521	Bearing			2	
2-7	285626	Oil Seal			1	
2-8	261492	Oil Seal			1	
2-9	055185	Snap Ring			1	#28
2-10	285530	Pin			1	3X11.8
2-11	285529	Pin			1	3X13.8
2-12	261250	Bolt			3	M5X20WSW
2-13	285599	Crankshaft Comp.			1	
2-14	285049	Piston			1	
2-15	285590	Piston Ring			2	P111
2-16	285591	Piston Pin			1	8X31
2-17	261037	Needle Bearing			1	8X11X11.8X1
2-18	261576	Piston Pin Circlip			2	
2-19	285554	Magneto Ass'y			1	Incl.20-27
2-20	285555	Magneto Rotor			1	
2-21	285556	Ignition Coil Ass'y			1	Incl.22-27
2-22	286095	Ignition Coil			1	
2-23	286096	Cord Ass'y			1	Incl.24-27
2-24	286097	Cord			1	
2-25	261074	Spark Plug Cap			1	
2-26	261075	Connectot			1	
2-27	261072	Cap			1	
2-28	261076	Woodruff Key			1	3X10
2-29	261417	Nut			1	M8X13XT6.5
2-30	285553	Starter Pawl			2	
2-31	285552	Spring			2	
2-32	020299	E-Ring			2	#4
2-33	281211	Screw			2	M4X20WSW
2-34	261200	Spark Plug			1	BPM6Y
2-35	285649	Lead			1	
2-36	285648	Lead			1	
2-37	285472	Gasket			1	
2-38	264223	Bolt			2	M5X40
2-39	285535	Clutch Ass'y			1	Incl.40,41
2-40	285655	Clutch Shoe			3	
2-41	285656	Spring			3	
2-42	285537	Washer			1	8X26XT2
2-43	285546	Clutch Drum			1	
2-44	285625	Needle Bearing			1	10X13X10
2-45	285833	Muffler Ass'y			1	

4. MCV3100
OIL PUMP



Ref. No.	Part No.	Part Name	Q'ty			Remarks
			3100T	3100TS	3100	
4-1	286811	Oil Pump Ass'y			1	Incl.2-11
4-2	285527	Pump Body			1	
4-3	285550	Wheel Gear			1	
4-4	286801	Washer			1	T0.5 6.5X9.8
4-5	014759	O-Ring			1	P6
4-6	285551	Spring			1	
4-7	285534	Pump Cap			1	
4-8	285630	Screw			1	M3X8
4-9	287125	Washer			1	T0.8 4.3X9
4-10	287093	Spring			1	
4-11	286664	Screw			1	M4X23
4-12	285528	Grommet			1	
4-13	285533	Worm Gear			1	
4-14	285536	Bush			1	5.3X12
4-15	285538	Washer			1	10.5X36XT1.6
4-16	285522	Oil Pipe A			1	
4-17	286802	Oil Pipe B Ass'y			1	Incl.18-24
4-18	285523	Oil Pipe B Ass'y			1	Incl.19,20
4-19	265725	Pipe			1	220L
4-20	261339	Grommet			1	
4-21	286818	Oil Filter Ass'y			1	Incl.22-24
4-22	285524	Oil Filter			1	
4-23	285525	Oil Filter Body			1	
4-24	261117	Clip			1	
4-25	285479	Oil Pump Cover			1	
4-26	285631	Screw			5	M4X16

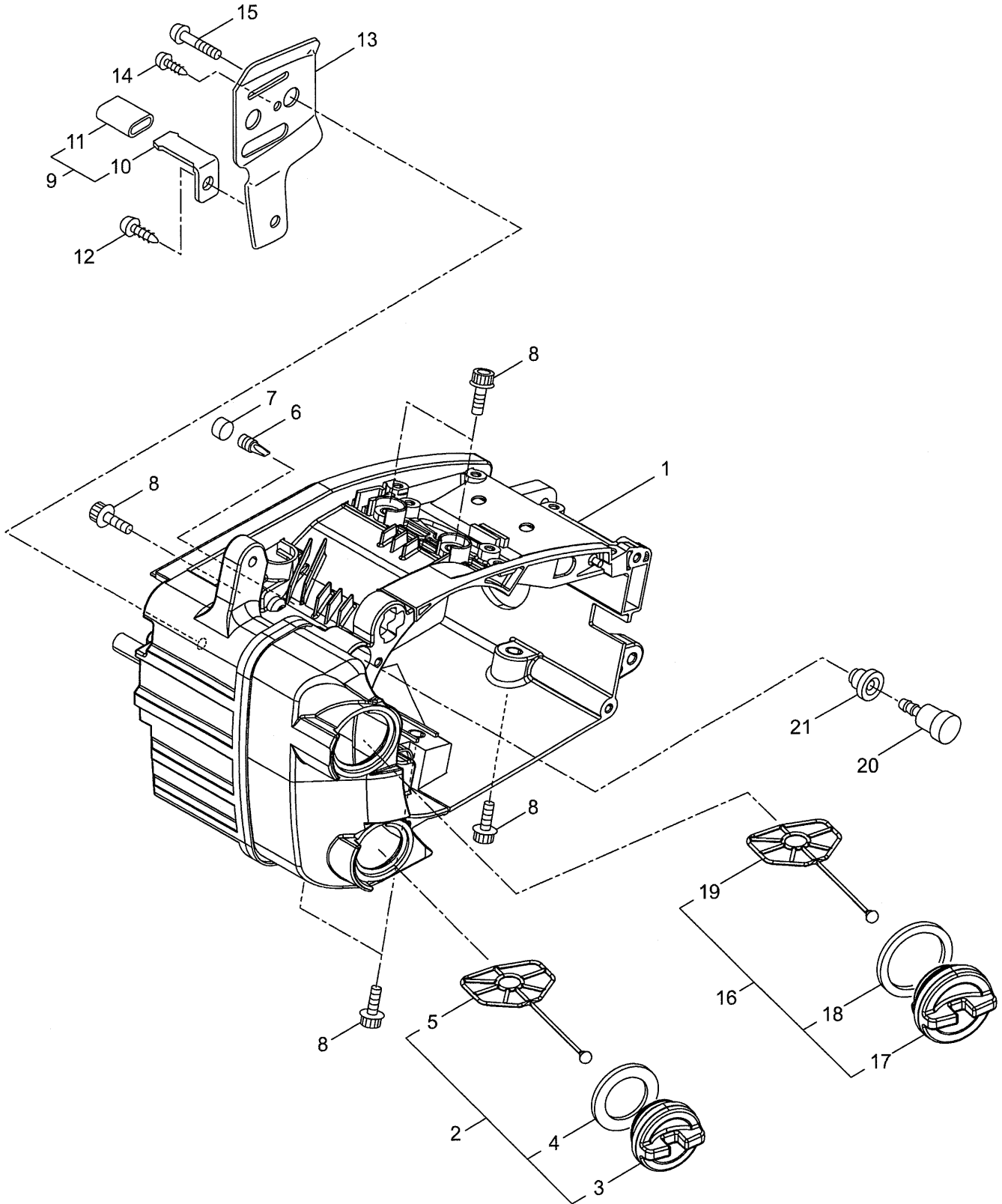
6. MCV3100
CARBURETOR



Ref. No.	Part No.	Part Name	Q'ty			Remarks
			3100T	3100TS	3100	
6-1	285488	Fuel Pipe Ass'y			1	Incl.2-6
6-2	285489	Pipe Ass'y			1	Incl.3,4
6-3	285490	Fuel Grommet			1	
6-4	285491	Fuel Pipe A			1	3X5X222L
6-5	261117	Clip			2	
6-6	264653	Filter Ass'y			1	
6-7	282299	Pump			1	
6-8	285492	Fuel Pipe B			1	2.4X5X145L
6-9		Carburetor Ass'y			1	Incl.10-42
6-10		Screen			1	
6-11		Pump Cover			1	
6-12		Screw			1	
6-13		Diaphragm			1	
6-14		Gasket			1	
6-15		Needle Valve			1	
6-16		Gasket			1	
6-17		Spring			1	
6-18		Diaphragm			1	
6-19		Cover			1	
6-20		Screw			1	
6-21		Lever Pin			1	
6-22		Lever			1	
6-23		Plug			1	
6-24		Needle			1	
6-25		Needle			1	
6-26		Spring			1	
6-27		Idle Adjust Screw			1	
6-28		Screw			2	
6-29		Lever			1	
6-30		Ring			2	
6-31		Throttle Valve			1	
6-32		Screw			1	
6-33		Spring			1	
6-34		Shaft			1	
6-35		Choke Valve			1	
6-36		Spring			1	
6-37		Washer			1	
6-38		Shaft			1	
6-39		Lever			1	
6-40		Screw			4	
6-41		Spring			1	
6-42		Spring			1	
6-43		Boots Comp.			1	
6-44		Screw			2	M5X45
6-45		Screw			1	M4X16

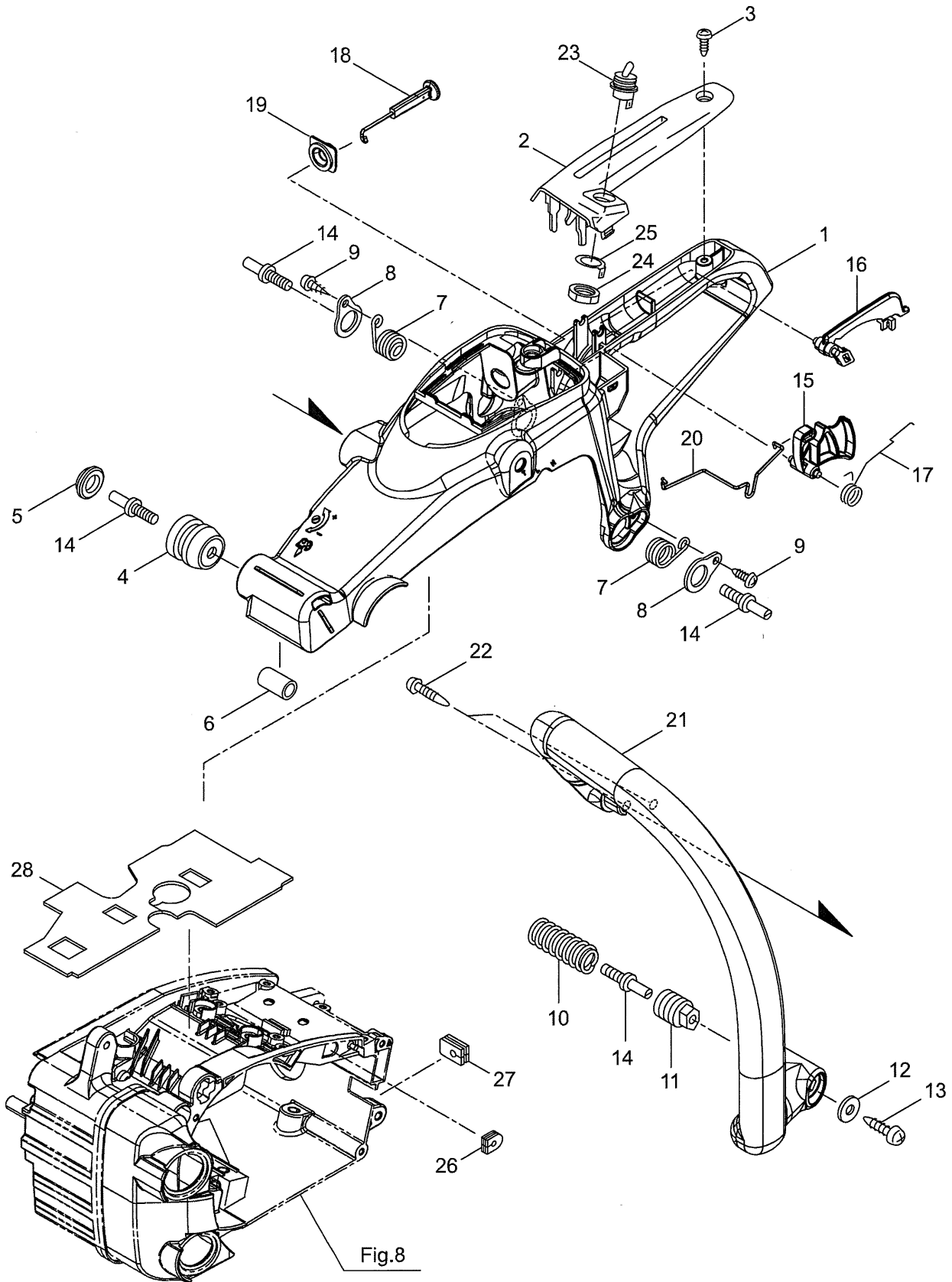
Ref. No.	Part No.	Part Name	Q'ty			Remarks
			3100T	3100TS	3100	
6-46	285507	Element			1	
6-47	285508	Duct			1	
6-48	285512	Cleaner Cover			1	
6-49	285540	Knob			1	
6-50	285495	Insulator			1	
6-51	286782	Ring			1	
6-52	285497	Plate			1	
6-53	285618	Bolt			2	M4X12
6-54	285631	Screw			2	M4X16

8. MCV3100
ENGINE CASE



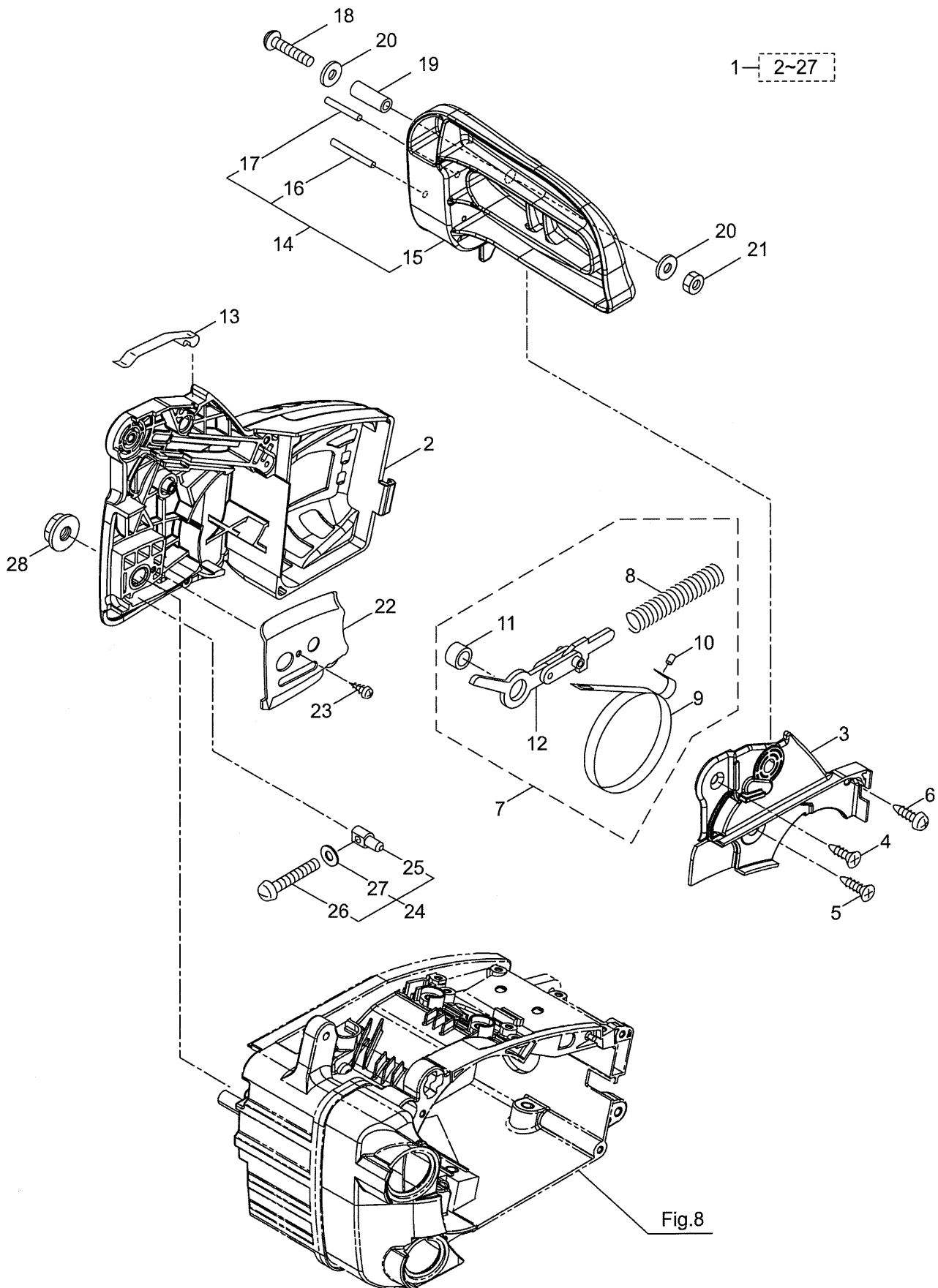
Ref. No.	Part No.	Part Name	Q'ty			Remarks
			3100T	3100TS	3100	
8-1	285703	Engine Case Ass'y			1	
8-2	285501	Oil Cap Ass'y			1	Incl.3-5
8-3	285502	Oil Cap			1	
8-4	285503	Packing			1	
8-5	285504	Holder			1	
8-6	285574	Breather			1	
8-7	285526	Element			1	
8-8	285632	Bolt			6	M5X16
8-9	286803	Chain Catcher Ass'y			1	Incl.10,11
8-10	285583	Chain Catcher			1	
8-11	285585	Tube			1	7X10.5X18L
8-12	285634	Screw			1	M5X14
8-13	285531	Guide Plate L			1	
8-14	285627	Screw			1	M3X8
8-15	286804	Screw			1	M5X20X8
8-16	286051	Fuel Cap Ass'y			1	Incl.17-19
8-17	286052	Fuel Cap			1	
8-18	286063	Packing			1	
8-19	285504	Holder			1	
8-20	285832	Breather Ass'y			1	
8-21	285573	Breather Grommet			1	

12. MCV3100
HANDLE



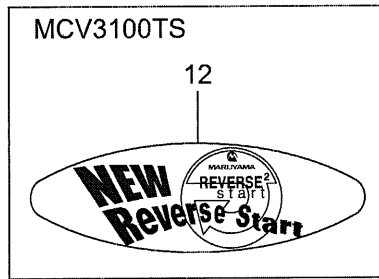
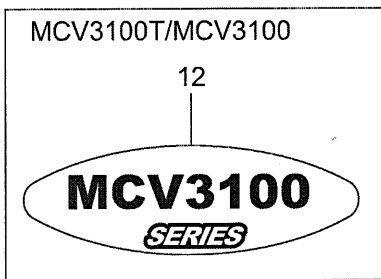
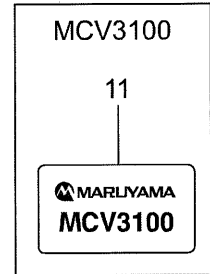
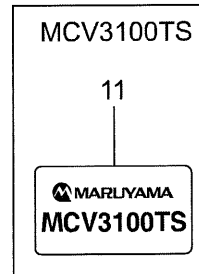
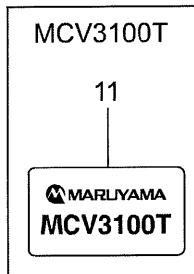
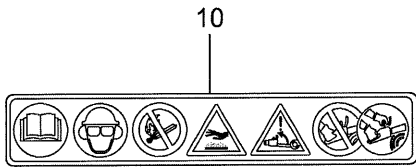
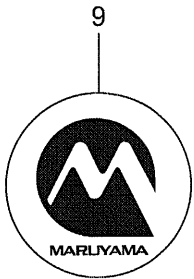
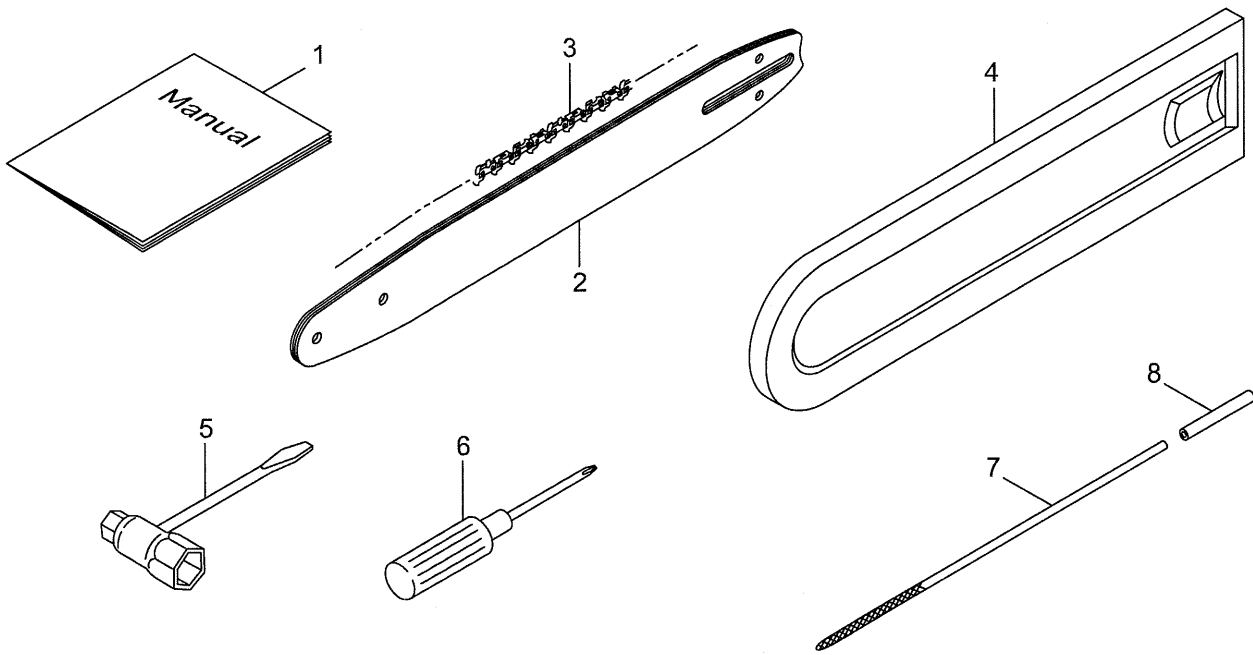
Ref. No.	Part No.	Part Name	Q'ty			Remarks
			3100T	3100TS	3100	
12-1	285513	Rear Handle			1	
12-2	285514	Rear Handle Cover			1	
12-3	285631	Screw			1	M4X16
12-4	285582	Buffer			1	
12-5	285473	Cap			1	
12-6	285515	Pipe			1	
12-7	285592	Spring			2	
12-8	285645	Stay			2	
12-9	285644	Screw			2	M4X12
12-10	285593	Spring			1	
12-11	285604	Boss			1	
12-12	263743	Washer			1	5.7X15.8XT2
12-13	285636	Screw			1	M5X20
12-14	285474	Stopper Bolt			4	
12-15	285516	Throttle Lever			1	
12-16	285517	Safety Lever			1	
12-17	285518	Spring			1	
12-18	285509	Choke Rod			1	
12-19	285510	Grommet			1	
12-20	285511	Push Rod			1	
12-21	285519	Front Handle			1	
12-22	285665	Screw			2	M5X30
12-23	286873	Stop Switch			1	
12-24	269582	Nut			1	M12X0.75
12-25	286874	Connector			1	
12-26	287300	Grommet			1	
12-27	285549	Grommet			1	
12-28	286002	Gasket			1	

14. MCV3100
CHAIN CASE



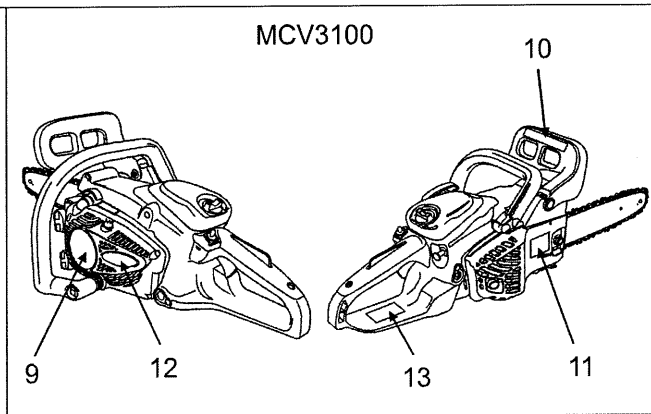
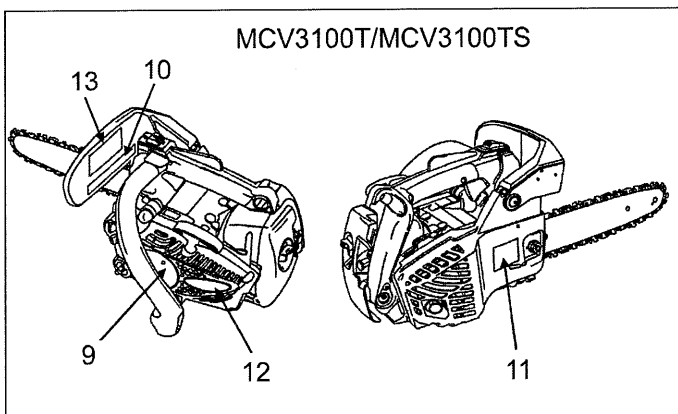
Ref. No.	Part No.	Part Name	Q'ty			Remarks
			3100T	3100TS	3100	
14-1	286813	Chain Case Ass'y			1	Incl.2-27
14-2	285559	Chain Case			1	
14-3	285622	Side Cover			1	
14-4	285637	Screw			1	M5X12
14-5	285639	Screw			1	M4X14
14-6	285644	Screw			1	M4X12
14-7	286823	Brake Ass'y			1	Incl.8-12
14-8	285605	Spring			1	
14-9	285572	Band			1	
14-10	285560	Pin			1	3X9.8
14-11	285606	Collar			1	8.2X12X7.2L
14-12	285570	Lever Comp.			1	
14-13	285595	Return Spring			1	
14-14	286054	Front Guard Comp.			1	Incl.15-17
14-15	286000	Front Guard			1	
14-16	285563	Pin ,			1	3X29.8
14-17	286048	Pin			1	3X23.8L
14-18	285638	Screw			1	M5X30
14-19	285607	Collar			1	5.2X7.5X22.5L
14-20	286045	Washer			2	5.3X15X1.2
14-21	285640	Nut			1	M5X0.8
14-22	285532	Guide Plate R			1	
14-23	285627	Screw			2	M3X8
14-24	286060	Tensioner Ass'y			1	Incl.25-27
14-25	285564	Boss			1	
14-26	285471	Screw			1	M5X35
14-27	286004	Washer			1	5
14-28	283041	Nut			1	M8

15. MCV3100T / MCV3100TS / MCV3100 ACCESSORIES



13

<p>詳細 如 (0:1) 或 (50:1) 混合汽油於汽油箱中 加裝適當油質於機油油室中</p> <p>使用 一 打開電門開關, 拉出阻風門 (✓) 壓高10下 拉回煞車板</p> <p>方法 二 拉啓動繩五、六下聽到引擎快動聲 (鳴聲響)</p> <p>三 向後壓上打阻風門 (✓), 再拉三次打啓動繩</p> <p>四 超過一個月不使用時, 請將化油器調至凍凍, 或發動引擎 用光之, 新來使用才易發動</p> <p>注意 五 請在空曠的地方使用</p> <p>事項 六 機油三公尺內不能有他人存在</p> <p>七 任何緊急狀況發生時, 機身上啓動煞車, 停止引擎。</p> <p>八 請閱讀隨機出方法之說明書始能使用</p>



Ref. No.	Part No.	Part Name	Q'ty			Remarks
			3100T	3100TS	3100	
15-1	287110	Instruction Manual	1	1		MCV3100T
15-1	287083	Instruction Manual			1	MCV3100
15-2	286828	Guide Bar	1	1	1	
15-3	286827	Chain	1	1	1	
15-4	286840	Chain Cover	1	1	1	
15-5	285731	Combi Box Spanner	1	1	1	13X19
15-6	285732	Screwdriver	1	1	1	
15-7	285729	File	1	1	1	
15-8	285730	File Grip	1	1	1	
15-9	287256	Label	1	1	1	58MARUYAMA
15-10	287161	Label	1	1	1	
15-11	287158	Label	1			MCV3100T
15-11	287259	Label		1		MCV3100TS
15-11	287258	Label			1	MCV3100
15-12	287257	Label	1		1	MCV3100
15-12	287255	Label		1		REVERSE
15-13	287678	Label	1	1	1	