

# PARTS LIST

MS073E  
CE

## CONTENTS

1• MAIN BODY .....	1~ 2
2• POWER SPRAYER .....	3~ 4
3• REDUCTION GEAR .....	5~ 6
4• ENGINE .....	7~10
5• CARBURETOR .....	11~12
6• ACCESSORIES .....	13~14

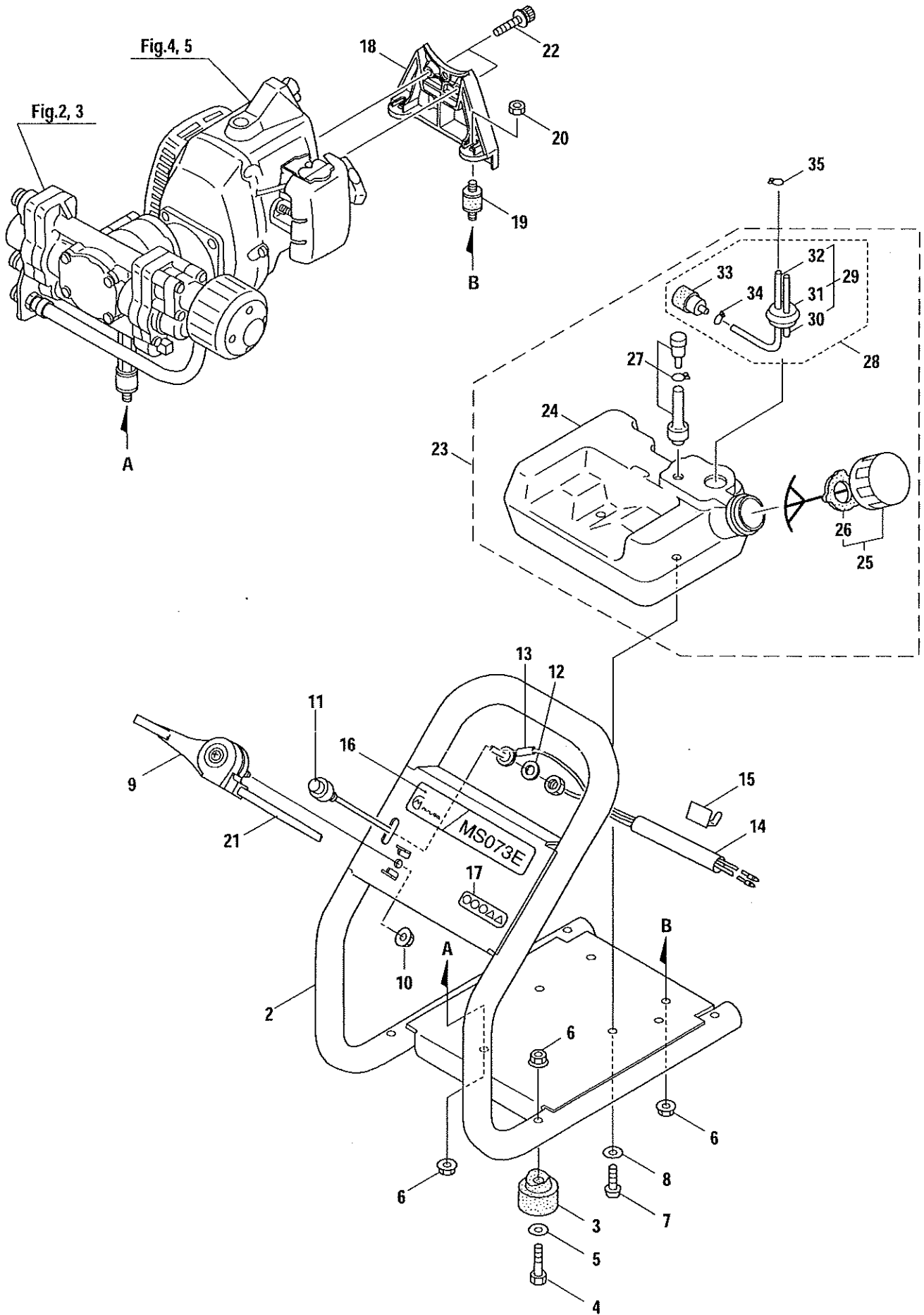
2002.5.



**MARUYAMA**

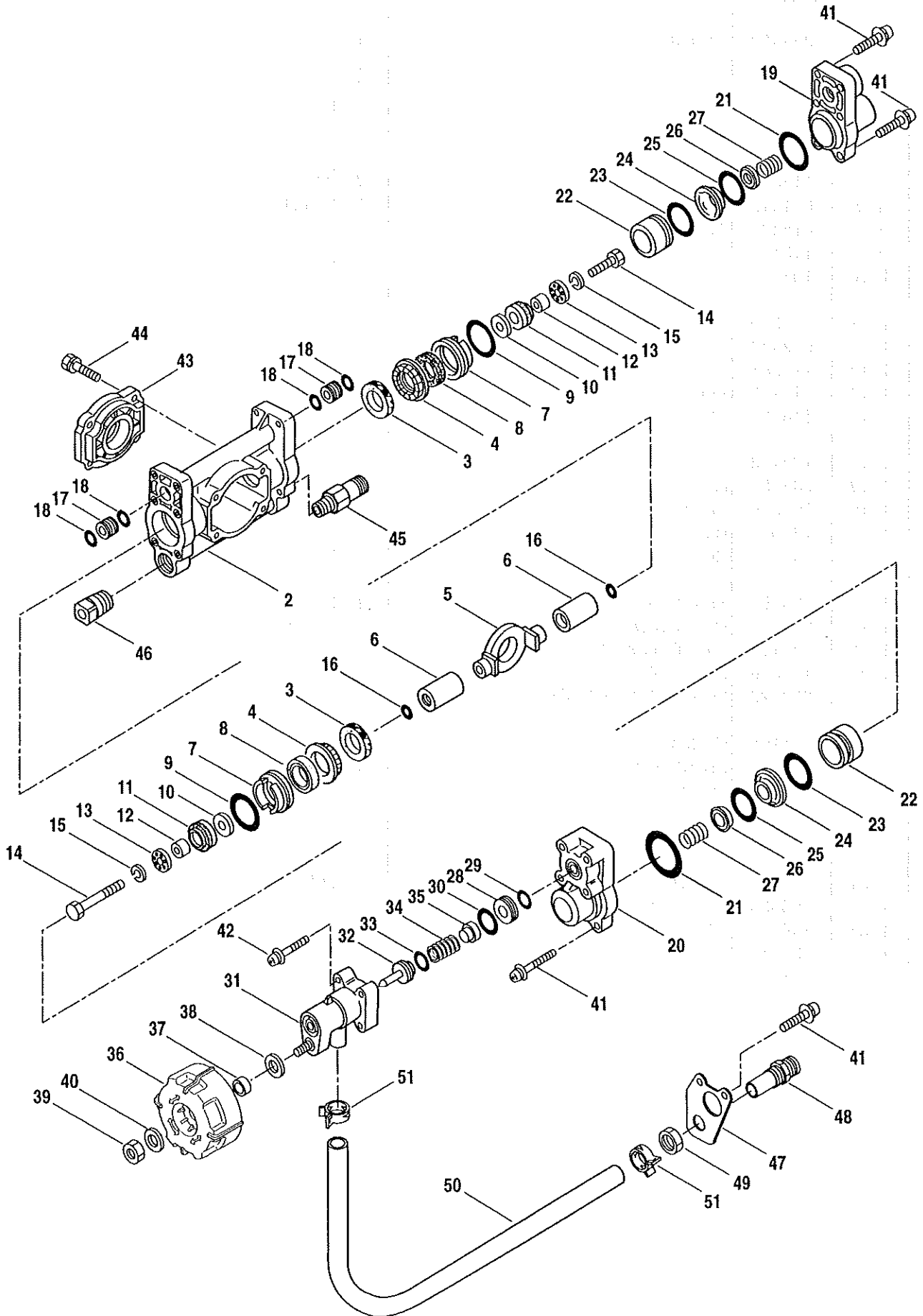
P/N.521472

1-MS073E(CE)  
MAIN BODY



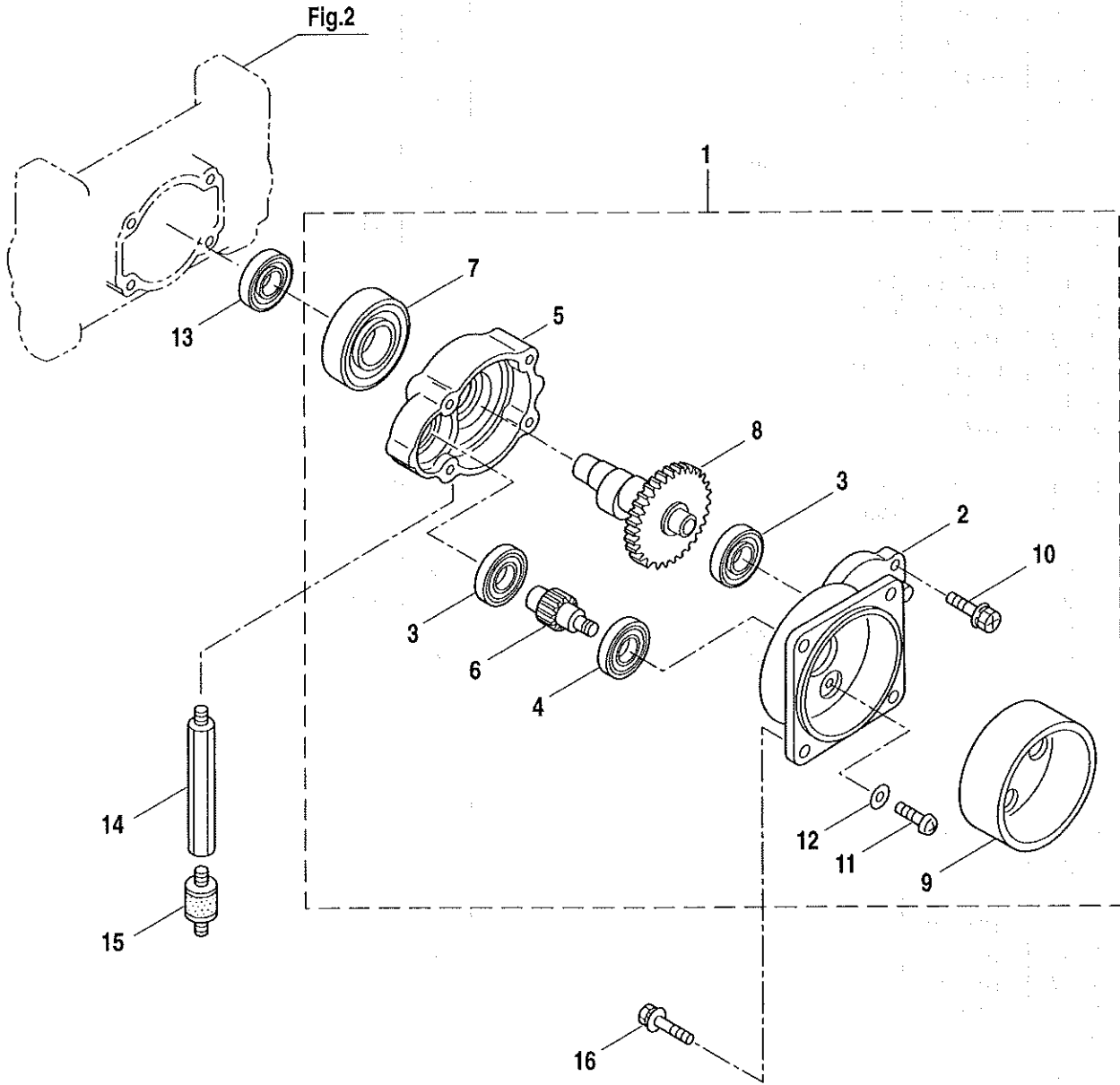
Ref.No.	Part No.	Part Name	Q'ty	Remarks
1-1	354353	MS073E	1	CE
1-2	122315	Frame	1	
1-3	100559	Buffer	4	
1-4	082117	Bolt	4	M6x40x18
1-5	019056	Washer	4	6.5x18xt1
1-6	115305	Nut	7	M6
1-7	081412	Screw	2	M5X10
1-8	015479	Washer	2	5.3x16xt1.6
1-9	115148	Throttle Lever	1	
1-10	103549	Nut	1	M5
1-11	119280	Stop Switch	1	
1-12	012489	Washer	1	M8
1-13	119281	Earth Cord	1	
1-14	119282	Vinyl Hose	1	8x9x90
1-15	146127	Clamp	1	
1-16	122726	Label	1	MS073E
1-17	266959	Label	1	Caution
1-18	264529	Bracket	1	
1-19	122075	Buffer	2	
1-20	081030	Nut	2	M6
1-21	265552	Throttle Cable	1	
1-22	261607	Cap Screw	2	M5x16
1-23	122112	Fuel Tank Ass'y	1	Incl.24-34
1-24	121626	Fuel Tank	1	
1-25	262726	Fuel Tank Cap Ass'y	1	Incl.26
1-26	261105	Gasket	1	
1-27	261696	Breather Ass'y	1	
1-28	265952	Fuel Pipe Pick-up Ass'y	1	Incl.29-34
1-29	265867	Fuel Pipe Ass'y	1	Incl.30-32
1-30	265869	Grommet	1	
1-31	261690	Fuel Pipe	1	140L
1-32	263038	Return Pipe	1	3x6x85L
1-33	264653	Filter Ass'y	1	
1-34	261117	Clip	1	
1-35	261117	Clip	1	

2-MS073E(CE)  
POWER SPRAYER



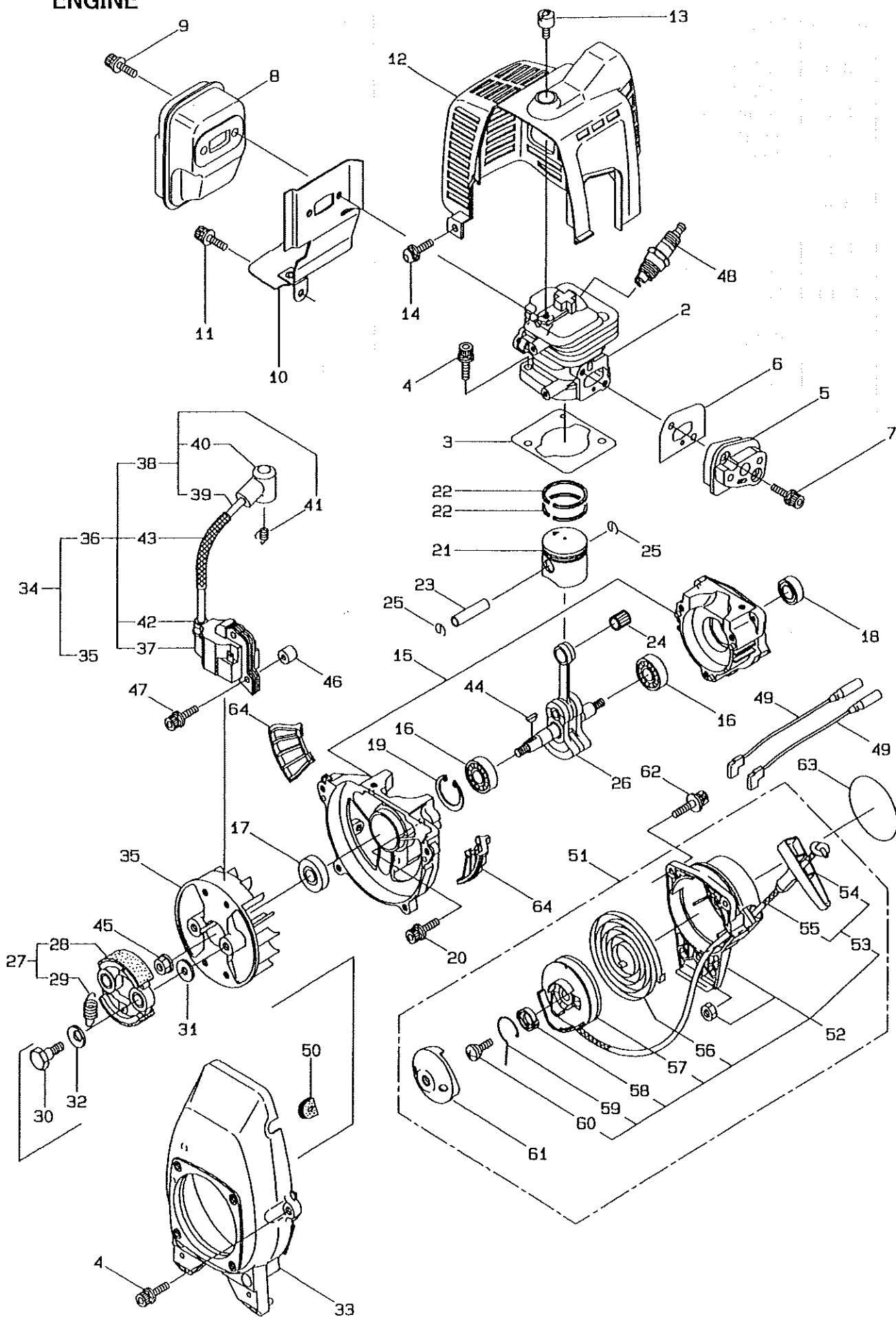
Ref.No.	Part No.	Part Name	Q'ty	Remarks
2-1	122725	Pump Ass'y	1	Incl.2-51, 3-1-3-15
2-2	121831	Crankcase	1	
2-3	102683	Oil Seal	2	G16244
2-4	106190	Collar	2	
2-5	121179	Connecting Rod	1	
2-6	118055	Sleeve	2	15x28.5
2-7	102358	Seal Retainer	2	
2-8	112252	Packing	2	
2-9	013977	O-Ring	2	S26
2-10	043426	Suction Valve Seat	2	5x17xt2.8
2-11	100441	Piston Packing	2	20.5
2-12	023357	Suction Valve Collar	2	5x8x10L
2-13	022023	Suction Valve Stopper	2	5x16xt3
2-14	118357	Bolt	2	M5x45x22
2-15	015848	Spring Washer	2	M5
2-16	021549	O-Ring	2	P5
2-17	100554	Spacer Pipe	2	6x12x10
2-18	014175	O-Ring	4	P9
2-19	103128	Cylinder Head (A)	1	
2-20	102634	Cylinder Head (B)	1	
2-21	013983	O-Ring	2	S31.5
2-22	103130	Cylinder Pipe	2	20x26x18L
2-23	023172	O-Ring	2	P22
2-24	118018	Valve Seat	2	
2-25	103575	O-Ring	2	23x1.5
2-26	043723	Discharge Valve	2	
2-27	043360	Discharge Valve Spring	2	
2-28	103746	Valve Seat	1	
2-29	011343	O-Ring	1	P10A
2-30	011346	O-Ring	1	P14
2-31	103132	Spring Case	1	
2-32	121618	Spring Retainer	1	
2-33	011682	O-Ring	1	P10
2-34	121620	Compression Coil Spring	1	
2-35	121619	Discharge Valve	1	
2-36	107198	Handle	1	
2-37	103270	Collar	1	8x10x5.3L
2-38	020012	Washer	5	8.5x14xt0.5
2-39	081039	Nut	1	M8
2-40	014065	Washer	1	M8
2-41	121956	Screw	8	M5x32
2-42	816036	Screw	4	M5x60
2-43	118006	Bearing Case	1	
2-44	118085	Bolt	4	M6x55
2-45	103411	Nipple	1	PT3/8xPF3/8
2-46	108460	Plug	1	PT3/8
2-47	103412	Bracket	1	
2-48	103413	Nipple	1	PF1/4
2-49	025604	Nut	1	PF1/4
2-50	103760	Hose	1	10x15x240L
2-51	103033	Band	2	150-05-00

3-MS073E(CE)  
REDUCTION GEAR



Ref.No.	Part No.	Part Name	Q'ty	Remarks
3-1	121621	Reduction Gear Ass'y	1	Incl.2-12
3-2	103137	Clutch Case	1	
3-3	102680	Bearing	2	#6000ZZ
3-4	112184	Bearing	1	#6000DDU
3-5	103138	Gear Case	1	
3-6	118200	Pinion Gear	1	
3-7	103144	Bearing	1	#6004ZZ
3-8	121622	Crankshaft	1	
3-9	103627	Clutch Drum	1	
3-10	092519	Bolt	2	M6x16
3-11	081456	Screw	2	M6x20
3-12	107736	Spack	2	
3-13	102680	Bearing	1	#6000ZZ
3-14	120613	Extension	1	
3-15	122075	Buffer	1	
3-16	092548	Bolt	4	M5x15

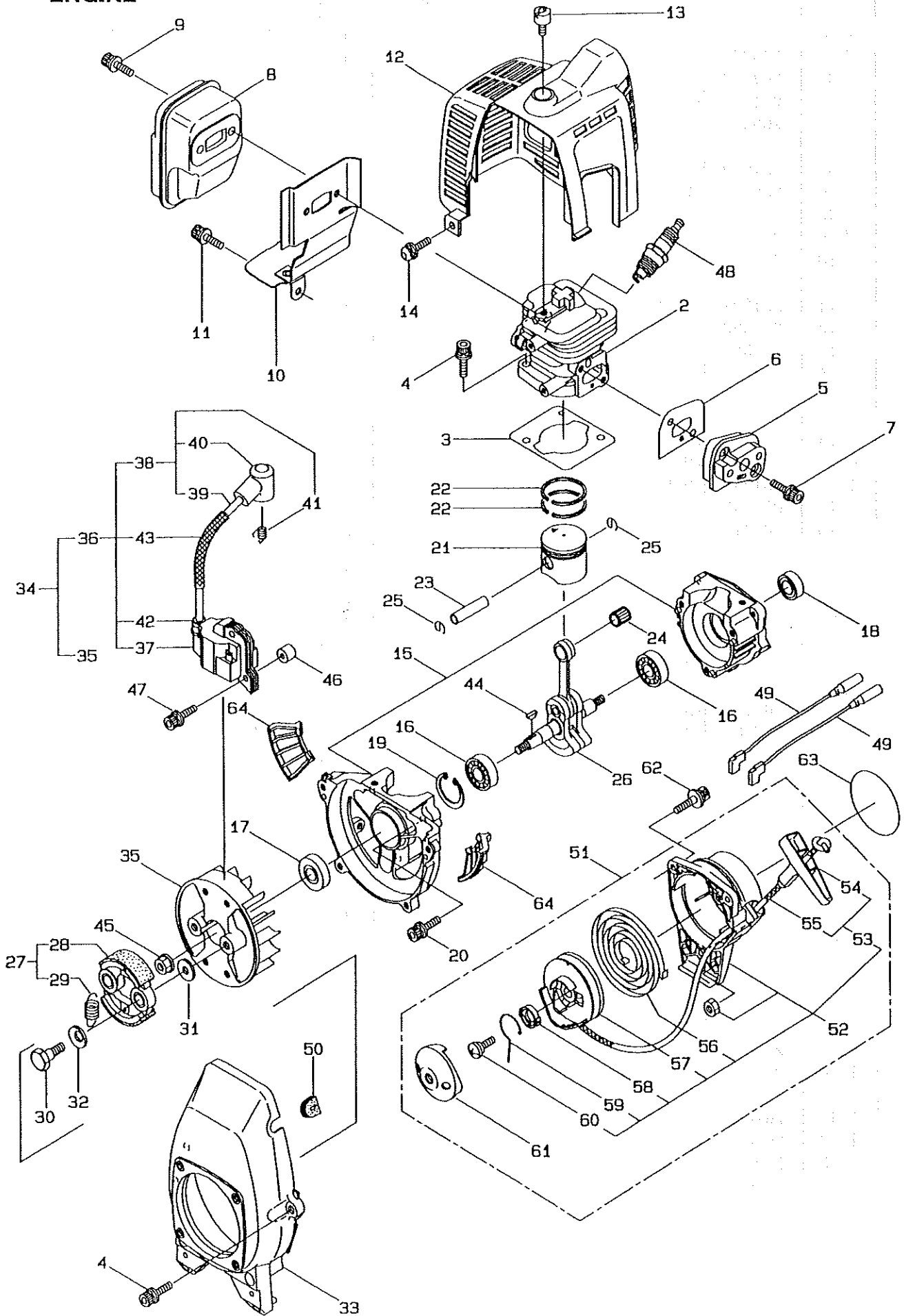
4-MS073E(CE)  
ENGINE





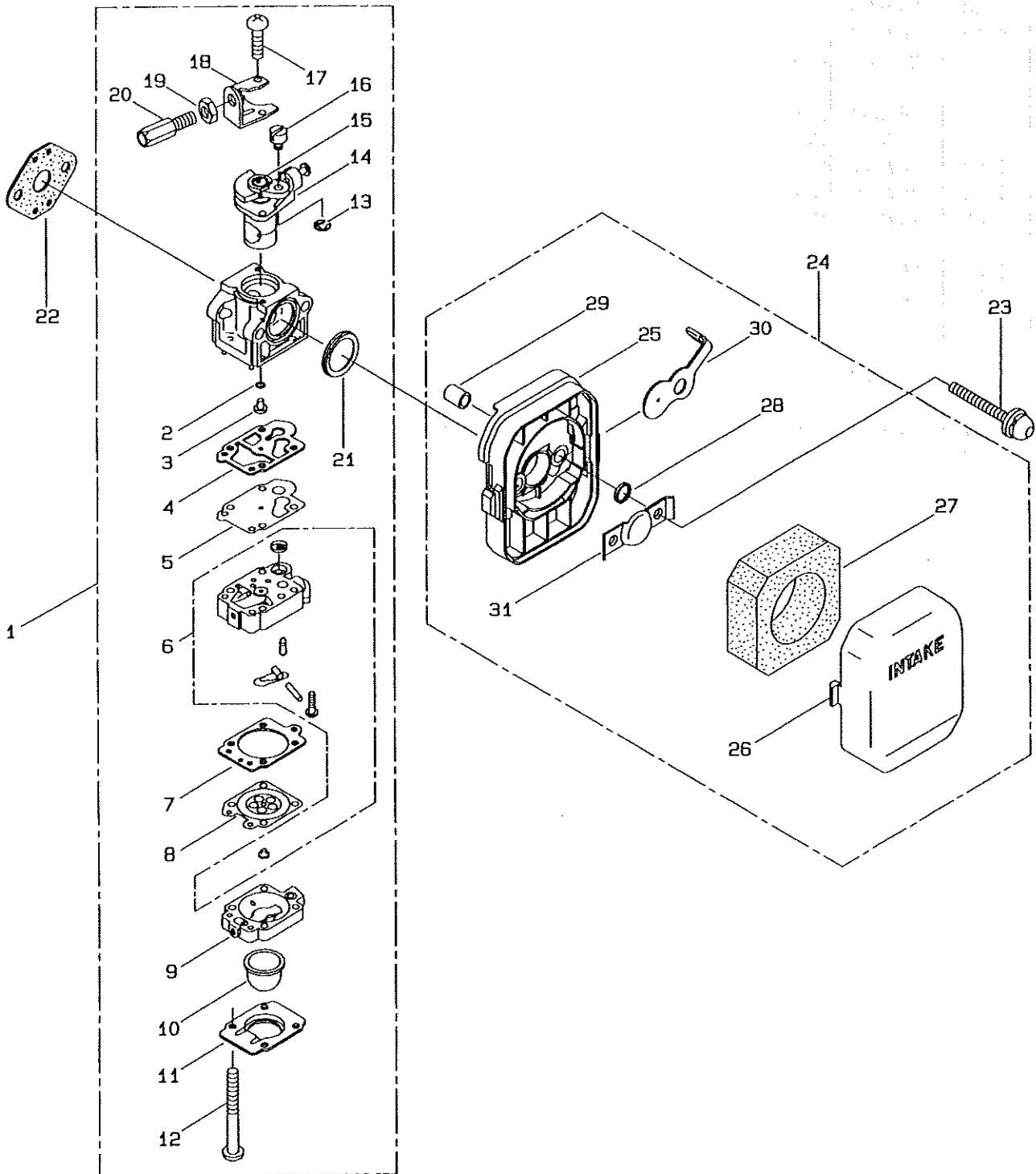
Ref.No.	Part No.	Part Name	Q'ty	Remarks
4-1		Engine	1	BE230P/06(850500/122110)
4-2	266249	Cylinder	1	New gasket required
4-3	267178	Gasket	1	
4-4	261250	Cap Screw	6	M5x20
4-5	265802	Insulator	1	New gasket required
4-6	267049	Gasket	1	
4-7	265924	Cap Screw	2	M5x25
4-8	267466	Muffler Comp.	1	
4-9	266264	Cap Screw	2	M5x50
4-10	267189	Gasket Comp.	1	
4-11	261607	Cap Screw	1	M5x16
4-12	267550	Top Cover	1	
4-13	264022	Knob	1	
4-14	267177	Screw	1	M5x16
4-15	267063	Crankcase	1	
4-16	261491	Bearing	2	#6001C3
4-17	261492	Oil Seal	1	ISCD12287
4-18	261386	Oil Seal	1	ISCD12227
4-19	055185	Snap Ring	1	#28
4-20	261612	Cap Screw	3	M5x30
4-21	266467	Piston	1	
4-22	264891	Piston Ring	2	(2)required
4-23	261036	Piston Pin	1	
4-24	263957	Bearing,Needle	1	KTV81112EG01 B2
4-25	261576	Clip,Piston	2	
4-26	267193	Crankshaft/Conn.Rod Ass'y	1	
4-27	264887	Clutch Ass'y	1	Incl.28,29
4-28	264888	Clutch Shoe	2	(2)required
4-29	264889	Spring,Clutch	1	
4-30	264505	Bolt	2	
4-31	261189	Washer	2	6x16.5xt1.2
4-32	261777	Wave Washer	2	
4-33	268306	Fan Cover	1	
4-34	267397	Magneto Ass'y	1	Incl.35-43
4-35	261356	Rotor/Fan	1	
4-36	267173	Ignition Coil Ass'y	1	Incl.37-43
4-37	267174	Coil	1	
4-38	267403	Spark Plug Wire Ass'y	1	Incl.39-41
4-39	267404	Spark Plug Wire	1	
4-40	261074	Plug Boot	1	
4-41	261075	Connector	1	
4-42	261072	Cap	1	
4-43	269418	Insulator	1	
4-44	261076	Woodruff Key	1	3x10
4-45	261417	Nut,Rotor	1	M8

4-MS073E(CE)  
ENGINE



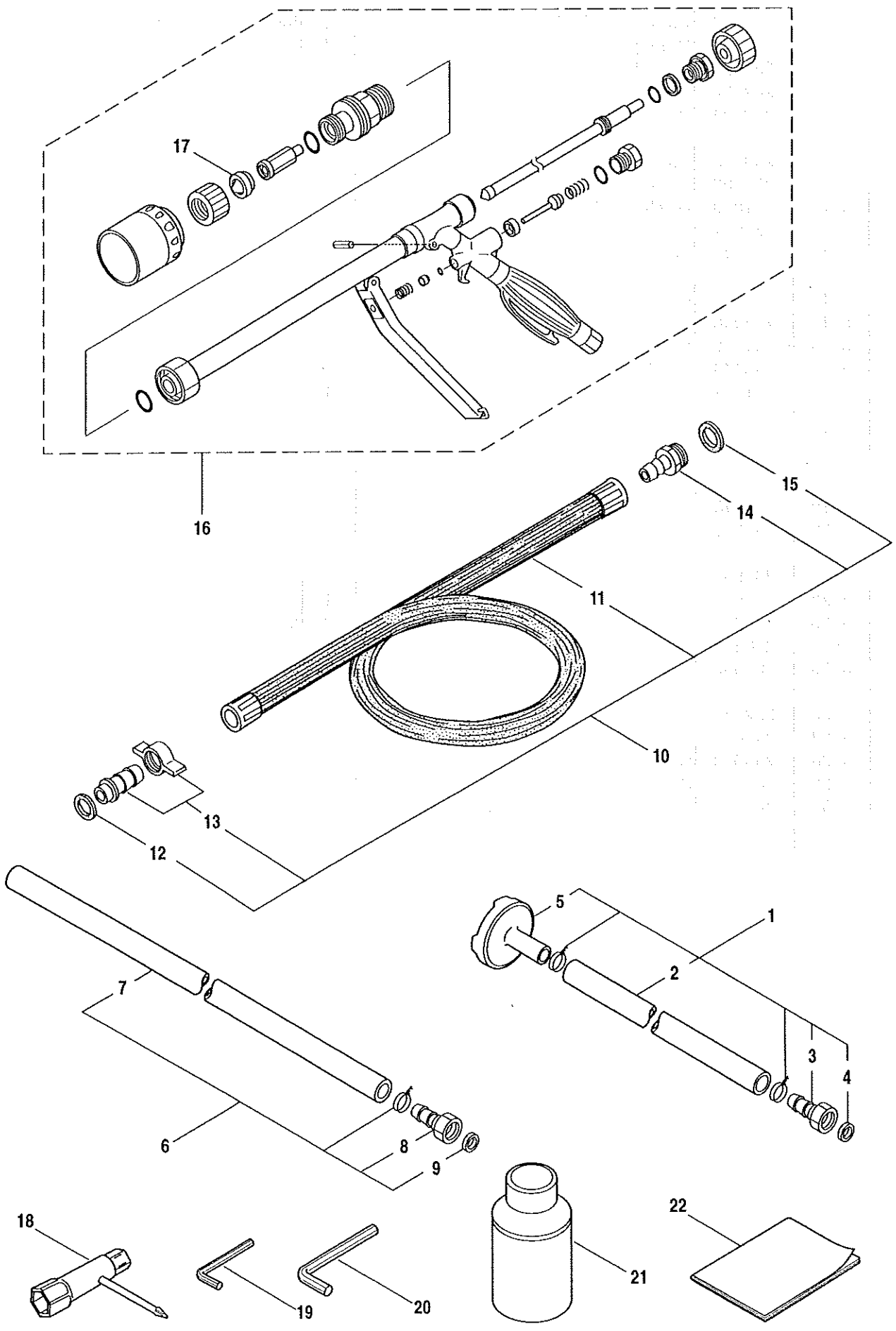
Ref.No.	Part No.	Part Name	Q'ty	Remarks
4-46	261078	Spacer	2	
4-47	261256	Cap Screw	2	M4x25
4-48	262483	Spark Plug	1	NGK BPMR6Y
4-49	267492	Lead	2	130L
4-50	261202	Grommet	1	
4-51	268308	Recoil Starter Ass'y	1	Incl.52-61
4-52	268309	Recoil Ass'y	1	Incl.53-60
4-53	267217	Rope Ass'y	1	Incl.54,55
4-54	267219	Starter Grip	1	
4-55	267218	Starter Rope	1	
4-56	267214	Spiral Spring	1	
4-57	267212	Pulley	1	
4-58	267215	Collar	1	
4-59	267216	Swing Arm	1	
4-60	267213	Screw	1	
4-61	267098	Starter Pulley	1	
4-62	265726	Cap Screw	3	M4x16
4-63	265728	Label	1	
4-64	264582	Screen	2	

5-MS073E(CE)  
CARBURETOR



Ref.No.	Part No.	Part Name	Q'ty	Remarks
5-1	268313	Carburetor Ass'y	1	Incl.2-21 New gasket required
5-2	261871	O-Ring	1	
5-3	262120	Main Jet	1	#40
5-4	262995	Gasket	1	
5-5	262994	Diaphragm,Fuel Pump	1	
5-6	263739	Pump Body	1	
5-7	262993	Gasket	1	
5-8	261873	Diaphragm,Metering	1	
5-9	262991	Purge Body	1	
5-10	261874	Primer Bulb	1	
5-11	262992	Cover Plate	1	
5-12	262996	Screw	4	
5-13	261876	E-Ring	1	
5-14	265448	Throttle Valve Ass'y	1	
5-15	261652	Plug	1	
5-16	261658	Swivel	1	
5-17	261875	Screw	2	
5-18	261659	Bracket	1	
5-19	261878	Nut	1	
5-20	261877	Adapter	1	
5-21	261657	Packing	1	
5-22	261864	Gasket	1	
5-23	264016	Cap Screw	2	M5x60
5-24	266422	Air Filter Ass'y	1	Incl.25-31
5-25	263005	Housing	1	
5-26	262998	Cover	1	
5-27	263006	Element	1	
5-28	263000	Washer	1	
5-29	263001	Sleeve	2	
5-30	266423	Choke Valve	1	
5-31	263003	Plate	1	

6-MS073E(CE)  
ACCESSORIES



Ref.No.	Part No.	Part Name	Q'ty	Remarks
6-1	103790	Suction Hose Ass'y	1	Incl.2-5
6-2	103791	Vinyl Hose	1	10x15x2500
6-3	098013	Hose Coupling	1	G3/8
6-4	023330	Packing	1	9.5x15xt1.5
6-5	029548	Strainer	1	
6-6	103792	Spill Hose Ass'y	1	Incl.7-9
6-7	103793	Vinyl Hose	1	8x12x2500
6-8	098035	Hose Coupling	1	G1/4
6-9	023329	Packing	1	6.5x11.5xt1.5
6-10	115091	Hose Ass'y	1	Incl.11-16
6-11	019476	Hose	1	7.5x20M
6-12	023329	Packing	1	6.5x11.5xt1.5
6-13	098057	Hose Coupling	1	G1/4
6-14	023297	Hose Coupling	1	PF1/4
6-15	023320	Packing	1	11.5x16xt1.5
6-16	116126	Nozzle Ass'y	1	Incl.17 Universal Nozzle 20A
6-17	115427	Orifice Disk	1	NN-ZO-10
6-18	210418	Box Spanner	1	13x19x(+)
6-19	062047	Wrench	1	3mm
6-20	105489	Wrench	1	4mm
6-21	022540	Fuel Blending Bottle	1	
6-22	122728	Instruction Manual	1	MS073E(CE)

1. The first part of the document discusses the importance of maintaining accurate records of all transactions. This is essential for ensuring the integrity of the financial statements and for providing a clear audit trail. The records should be kept up-to-date and should be easily accessible to all relevant parties.

2. The second part of the document outlines the various methods used to collect and analyze data. These methods include interviews, surveys, and focus groups. Each method has its own strengths and weaknesses, and it is important to choose the most appropriate method for the specific research objectives. The data collected should be analyzed carefully to identify any trends or patterns that may be significant.