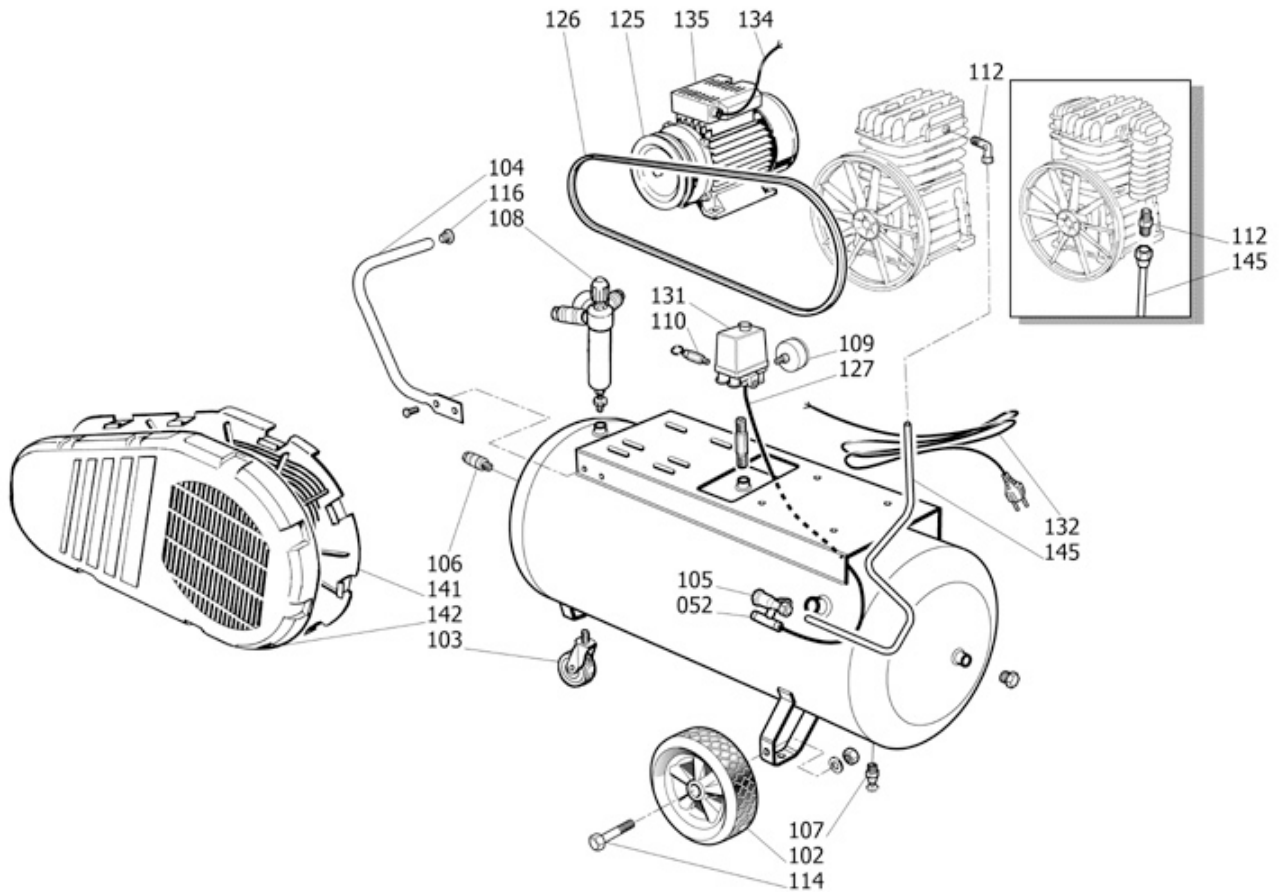


## Information

Item 4116023629 Description BLUELINE 90BC2



## Part

| Nr. | Item       | Description        | End      | Q.ty    |
|-----|------------|--------------------|----------|---------|
| 099 | 4116090295 | Pump               |          | 1.00 PC |
| 102 | 6214347700 | Wheel              |          | 2.00 PC |
| 103 | 6214344300 | Pivot wheel - Foot |          | 1.00 PC |
| 104 | 6214343300 | Handle             |          | 1.00 PC |
| 105 | 2236110535 | Non return valve   |          | 1.00 PC |
| 105 | 2236110860 | Non return valve   | 19/06/13 | 1.00 PC |
| 106 | 6231944100 | Tap                |          | 1.00 PC |
| 106 | 6231944200 | Tap                | 05/11/13 | 1.00 PC |
| 107 | 2236111480 | Drain tap          |          | 1.00 PC |

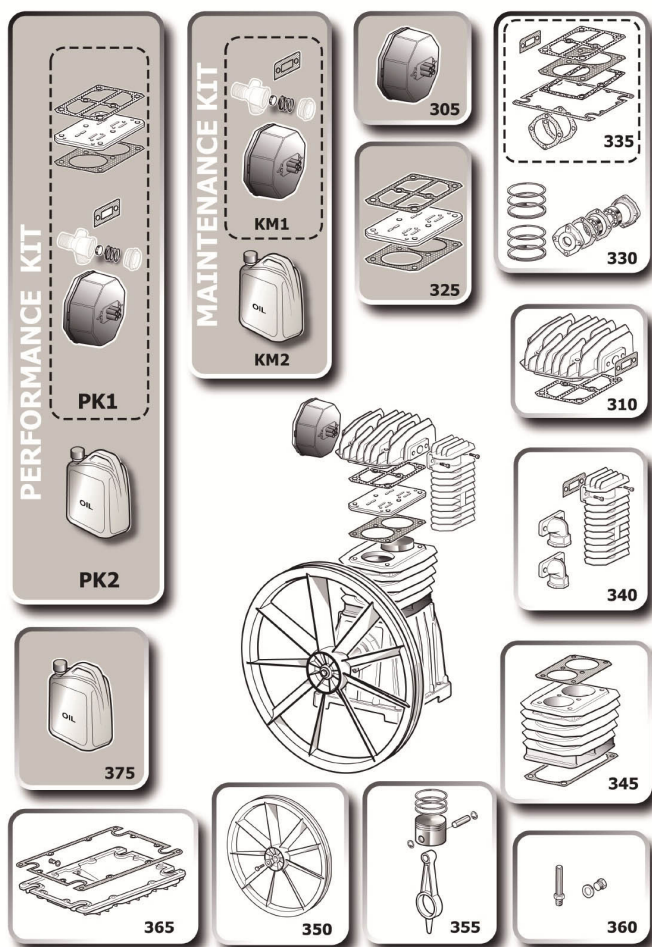
**Part**

| <b>Nr.</b> | <b>Item</b> | <b>Description</b> | <b>End</b> | <b>Q.ty</b> |
|------------|-------------|--------------------|------------|-------------|
| 107        | 6210717700  | Drain tap          | 17/09/12   | 1.00 PC     |
| 108        | 6214344100  | Pressure reducer   |            | 1.00 PC     |
| 108        | 6214344100  | Pressure reducer   | 30/10/13   | 1.00 PC     |
| 109        | 6214345000  | Gauge              |            | 1.00 PC     |
| 110        | 6210719900  | Safety valve       |            | 1.00 PC     |
| 113        | 6214349500  | Fitting            |            | 1.00 PC     |
| 114        | 6214348400  | Wheel pin          |            | 2.00 PC     |
| 116        | 6214344600  | Plug               |            | 1.00 PC     |
| 118        | 8973036197  | Fitting            |            | 1.00 PC     |
| 125        | 2236111823  | Pulley             |            | 1.00 PC     |
| 125        | 6224179900  | Pulley             | 11/09/12   | 1.00 PC     |
| 125        | 2236106820  | Pulley             | 22/07/12   | 1.00 PC     |
| 126        | 0367102100  | Belt               |            | 1.00 PC     |
| 127        | 6245578000  | Rilsan tube        |            | 0.27 M      |
| 131        | 2236110614  | Pressure switch    |            | 1.00 PC     |
| 131        | 6256397000  | Pressure switch    | 02/03/03   | 1.00 PC     |
| 131        | 6256396900  | Pressure switch    | 13/03/11   | 1.00 PC     |
| 131        | 2236106647  | Pressure switch    | 28/02/01   | 1.00 PC     |
| 131        | 2236110613  | Pressure switch    | 30/10/13   | 1.00 PC     |
| 132        | 6256395300  | Cable              |            | 1.00 PC     |
| 132        | 6256395300  | Cable              | 30/10/13   | 1.00 PC     |
| 135        | 2236111138  | Motor              |            | 1.00 PC     |
| 135        | 2236110453  | Motor              | 22/07/12   | 1.00 PC     |
| 141        | 2236110471  | Belt guard         |            | 1.00 PC     |
| 141        | 6214345200  | Belt guard         | 31/12/09   | 1.00 PC     |
| 142        | 6214343100  | Belt guard         |            | 1.00 PC     |
| 145        | 6245575700  | Delivery pipe      |            | 1.00 PC     |

## Information

Item 4116023629 Description BLUELINE 90BC2

### NS12-NS12S-PAT24



## Part

| Nr. | Item       | Description       | End      | Q.ty    |
|-----|------------|-------------------|----------|---------|
| 305 | 2236111635 | Air filter        |          | 1.00 PC |
| 305 | 2236111635 | Air filter        | 05/02/11 | 1.00 PC |
| 305 | 2236111635 | Air filter        | 09/02/11 | 1.00 PC |
| 310 | 2901325044 | Cylinder head kit |          | 1.00 PC |
| 325 | 2236112518 | Valve plate kit   |          | 1.00 PC |
| 330 | 2901325046 | Upgrade kit       |          | 1.00 PC |
| 335 | 2901325045 | Joints kit        |          | 1.00 PC |
| 340 | 2901325047 | Aftercooler kit   |          | 1.00 PC |
| 345 | 2236112434 | Cylinder kit      |          | 1.00 PC |

