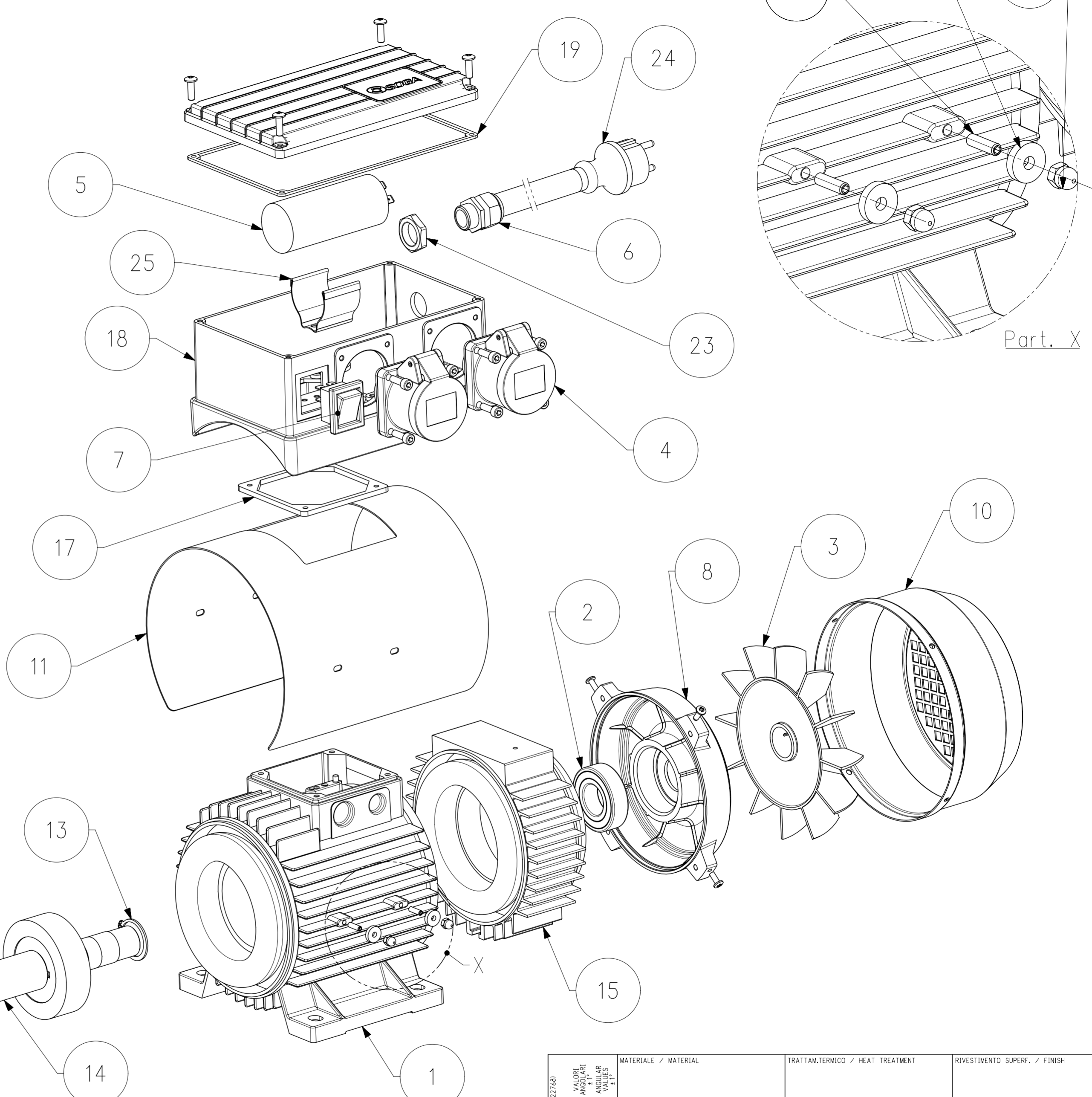
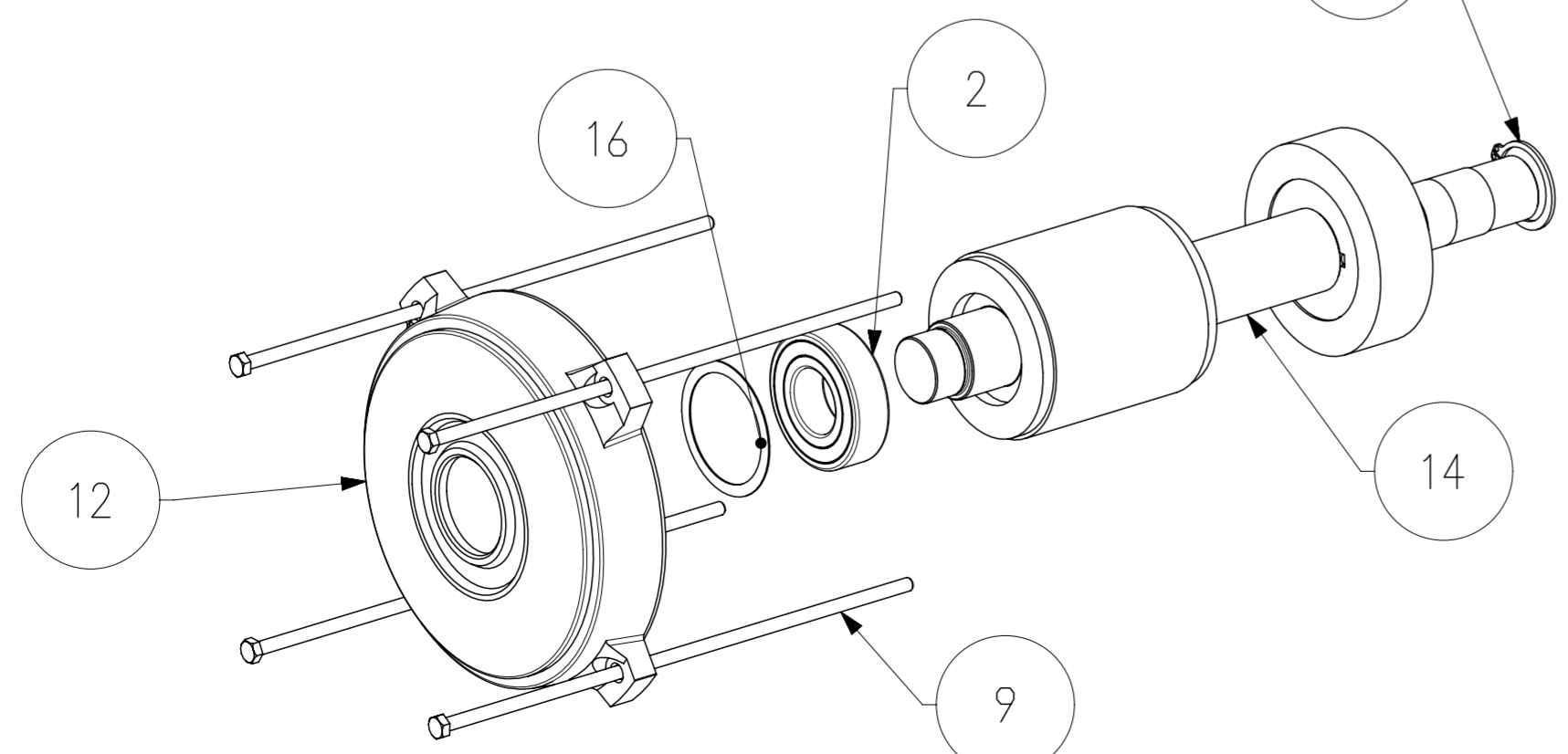


Parte	Descrizione	Quantita'
1	CASSA CON STATORE AVVOLTO MEC90S B3	1
2	CUSCINETTO 6205 TIPO ZZ	2
3	VENTOLA MEC 90	1
4	PRESA DA INCASSO 3P 32A	2
5	CONDENSATORE FILM 30mF	1
6	PRESSACAVO M20x1,5	1
7	INTERRUTTORE BIPOLARE LUMINOSO ROSSO	1
8	SCUDO LAVORATO LATO POSTERIORE MEC 90	1
9	TIRANTE M5X215 TE LUNGH.FIL.30MM FOSFATATO	4
10	COPERCHIO COPRIVENTOLA VERNICIATO	1
11	CARTER PROTEZIONE MEC 90S	1
12	SCUDO LAVORATO LATO ANTERIORE MEC 90	1
13	ANELLO SEEGER PER ALBERO UNI 7435-30 (DIN 471)	1
14	ALBERO MEC90S	1
15	CASSA ESTRUSA LAVORATA B3 CON STATORE	1
16	ANELLO DI COMPENSAZIONE LMKAS 52A	1
17	GUARNIZIONE A LABBRO	1
18	SCATOLA COPRIMORSETTIERA MEC90	1
19	GUARNIZIONE PER SCATOLA TIPO 2FD90MA	1
20	GRANO M4x15	4
21	RONDELLA DISTANZIALE CARTER	4
22	DADO CIECO M4	4
23	DADO ESAGONALE M20x1.5 IN POLIAMIDE	1
24	CAVO NERO CON SPINA SHUKO	1
25	FASCHETTA PORTA CONDENSATORE	1



TOLLERANZE GENERALI (RF. UNI EN 22768)		MATERIALE / MATERIAL		TRATTAM.TERMICO / HEAT TREATMENT		RIVESTIMENTO SUPERF. / FINISH	
±0.05	±0.05	±0.05	±0.05	±0.05	±0.05	±0.05	±0.05
±0.01	±0.01	±0.01	±0.01	±0.01	±0.01	±0.01	±0.01
±0.02	±0.02	±0.02	±0.02	±0.02	±0.02	±0.02	±0.02
±0.03	±0.03	±0.03	±0.03	±0.03	±0.03	±0.03	±0.03
±0.04	±0.04	±0.04	±0.04	±0.04	±0.04	±0.04	±0.04
±0.05	±0.05	±0.05	±0.05	±0.05	±0.05	±0.05	±0.05
±0.06	±0.06	±0.06	±0.06	±0.06	±0.06	±0.06	±0.06
±0.07	±0.07	±0.07	±0.07	±0.07	±0.07	±0.07	±0.07
±0.08	±0.08	±0.08	±0.08	±0.08	±0.08	±0.08	±0.08
±0.09	±0.09	±0.09	±0.09	±0.09	±0.09	±0.09	±0.09
±0.10	±0.10	±0.10	±0.10	±0.10	±0.10	±0.10	±0.10
±0.12	±0.12	±0.12	±0.12	±0.12	±0.12	±0.12	±0.12
±0.15	±0.15	±0.15	±0.15	±0.15	±0.15	±0.15	±0.15
±0.20	±0.20	±0.20	±0.20	±0.20	±0.20	±0.20	±0.20
±0.25	±0.25	±0.25	±0.25	±0.25	±0.25	±0.25	±0.25
±0.30	±0.30	±0.30	±0.30	±0.30	±0.30	±0.30	±0.30
±0.40	±0.40	±0.40	±0.40	±0.40	±0.40	±0.40	±0.40
±0.50	±0.50	±0.50	±0.50	±0.50	±0.50	±0.50	±0.50
±0.60	±0.60	±0.60	±0.60	±0.60	±0.60	±0.60	±0.60
±0.80	±0.80	±0.80	±0.80	±0.80	±0.80	±0.80	±0.80
±1.00	±1.00	±1.00	±1.00	±1.00	±1.00	±1.00	±1.00
±1.20	±1.20	±1.20	±1.20	±1.20	±1.20	±1.20	±1.20
±1.50	±1.50	±1.50	±1.50	±1.50	±1.50	±1.50	±1.50
±2.00	±2.00	±2.00	±2.00	±2.00	±2.00	±2.00	±2.00
±2.50	±2.50	±2.50	±2.50	±2.50	±2.50	±2.50	±2.50
±3.00	±3.00	±3.00	±3.00	±3.00	±3.00	±3.00	±3.00
±4.00	±4.00	±4.00	±4.00	±4.00	±4.00	±4.00	±4.00
±5.00	±5.00	±5.00	±5.00	±5.00	±5.00	±5.00	±5.00
±6.00	±6.00	±6.00	±6.00	±6.00	±6.00	±6.00	±6.00
±8.00	±8.00	±8.00	±8.00	±8.00	±8.00	±8.00	±8.00
±10.00	±10.00	±10.00	±10.00	±10.00	±10.00	±10.00	±10.00
±12.00	±12.00	±12.00	±12.00	±12.00	±12.00	±12.00	±12.00
±15.00	±15.00	±15.00	±15.00	±15.00	±15.00	±15.00	±15.00
±20.00	±20.00	±20.00	±20.00	±20.00	±20.00	±20.00	±20.00
±25.00	±25.00	±25.00	±25.00	±25.00	±25.00	±25.00	±25.00
±30.00	±30.00	±30.00	±30.00	±30.00	±30.00	±30.00	±30.00
±40.00	±40.00	±40.00	±40.00	±40.00	±40.00	±40.00	±40.00
±50.00	±50.00	±50.00	±50.00	±50.00	±50.00	±50.00	±50.00
±60.00	±60.00	±60.00	±60.00	±60.00	±60.00	±60.00	±60.00
±80.00	±80.00	±80.00	±80.00	±80.00	±80.00	±80.00	±80.00
±100.00	±100.00	±100.00	±100.00	±100.00	±100.00	±100.00	±100.00
±120.00	±120.00	±120.00	±120.00	±120.00	±120.00	±120.00	±120.00
±150.00	±150.00	±150.00	±150.00	±150.00	±150.00	±150.00	±150.00
±200.00	±200.00	±200.00	±200.00	±200.00	±200.00	±200.00	±200.00
±250.00	±250.00	±250.00	±250.00	±250.00	±250.00	±250.00	±250.00
±300.00	±300.00	±300.00	±300.00	±300.00	±300.00	±300.00	±300.00
±400.00	±400.00	±400.00	±400.00	±400.00	±400.00	±400.00	±400.00
±500.00	±500.00	±500.00	±500.00	±500.00	±500.00	±500.00	±500.00
±600.00	±600.00	±600.00	±600.00	±600.00	±600.00	±600.00	±600.00
±800.00	±800.00	±800.00	±800.00	±800.00	±800.00	±800.00	±800.00
±1000.00	±1000.00	±1000.00	±1000.00	±1000.00	±1000.00	±1000.00	±1000.00
±1200.00	±1200.00	±1200.00	±1200.00	±1200.00	±1200.00	±1200.00	±1200.00
±1500.00	±1500.00	±1500.00	±1500.00	±1500.00	±1500.00	±1500.00	±1500.00
±2000.00	±2000.00	±2000.00	±2000.00	±2000.00	±2000.00	±2000.00	±2000.00
±2500.00	±2500.00	±2500.00	±2500.00	±2500.00	±2500.00	±2500.00	±2500.00
±3000.00	±3000.00	±3000.00	±3000.00	±3000.00	±3000.00	±3000.00	±3000.00
±4000.00	±4000.00	±4000.00	±4000.00	±4000.00	±4000.00	±4000.00	±4000.00
±5000.00	±5000.00	±5000.00	±5000.00	±5000.00	±5000.00	±5000.00	±5000.00
±6000.00	±6000.00	±6000.00	±6000.00	±6000.00	±6000.00	±6000.00	±6000.00
±8000.00	±8000.00	±8000.00	±8000.00	±8000.00	±8000.00	±8000.00	±8000.00
±10000.00	±10000.00	±10000.00	±10000.00	±10000.00	±10000.00	±10000.00	±10000.00

Emissione disegno - 21/02/06 - E.GUGLIELMI

DISEGNATO / DRAWN: E.GUGLIELMI
 CONTROLLATO / CHECKED: V.METTIFOGO
 CLIENTE / CUSTOMER: AGENT TRADE
 DENOMINAZIONE / PART NAME: ASSIEME ELETTROCONVERTITORE MEC90S
 CODICE / PART NUMBER: 8E090070AG278.01
 SOSTITUIRE / REPLACED BY:

Disegno di proprietà della Soga S.p.A. che si riserva i diritti sanciti dalla legge. This drawing belongs to Soga S.p.A. Any reproduction or disclosure is legally pursued in accordance to Italian law.