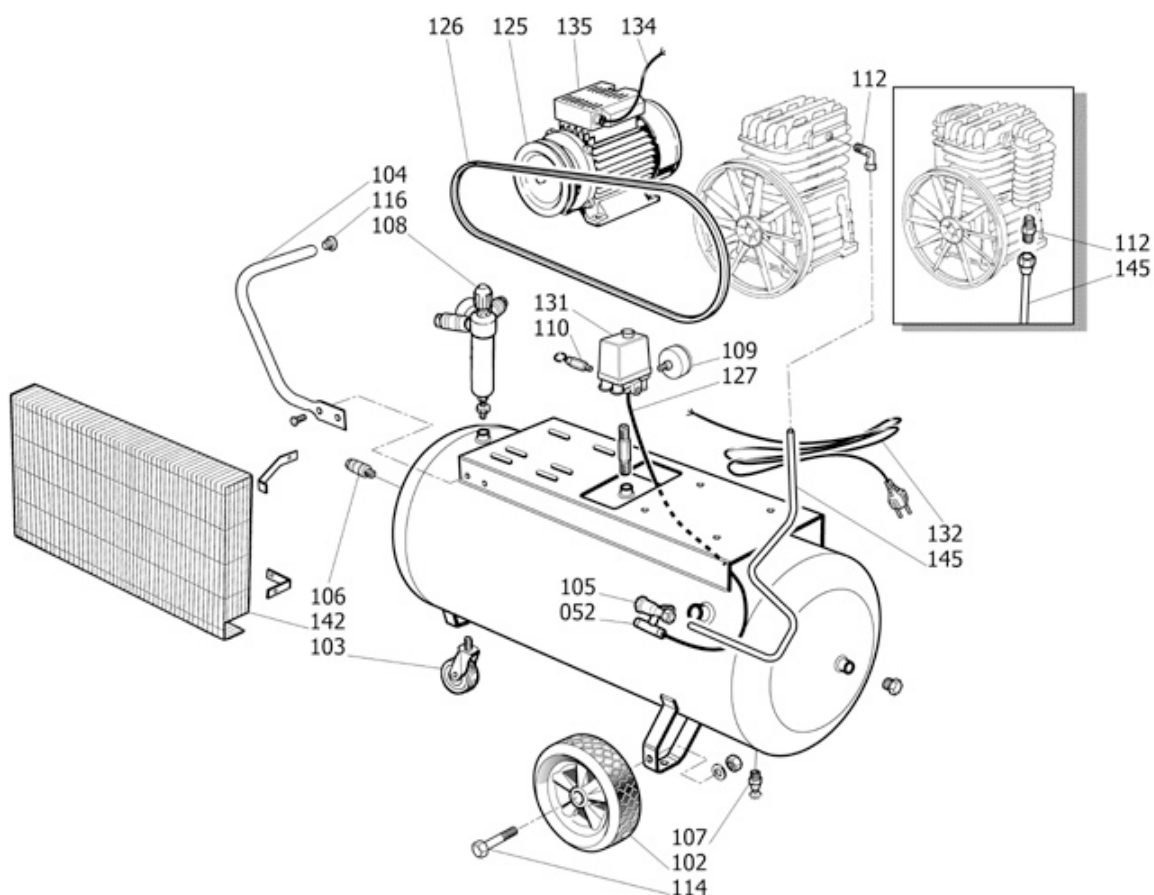


## Information

Item 4116024913 Description BELTAIR PRO 90C4R 400/50



## Part

Nr.	Item	Description	End	Q.ty
099	4116090298	Pump		1.00 PC
103	6214344300	Pivot wheel - Foot		1.00 PC
104	6214343700	Handle		1.00 PC
105	2236110537	Non return valve		1.00 PC
106	6231944100	Tap		1.00 PC
106	6231944200	Tap	05/11/13	1.00 PC
107	2236111480	Drain tap		1.00 PC
108	6214344200	Pressure reducer		1.00 PC
109	6214345000	Gauge		1.00 PC

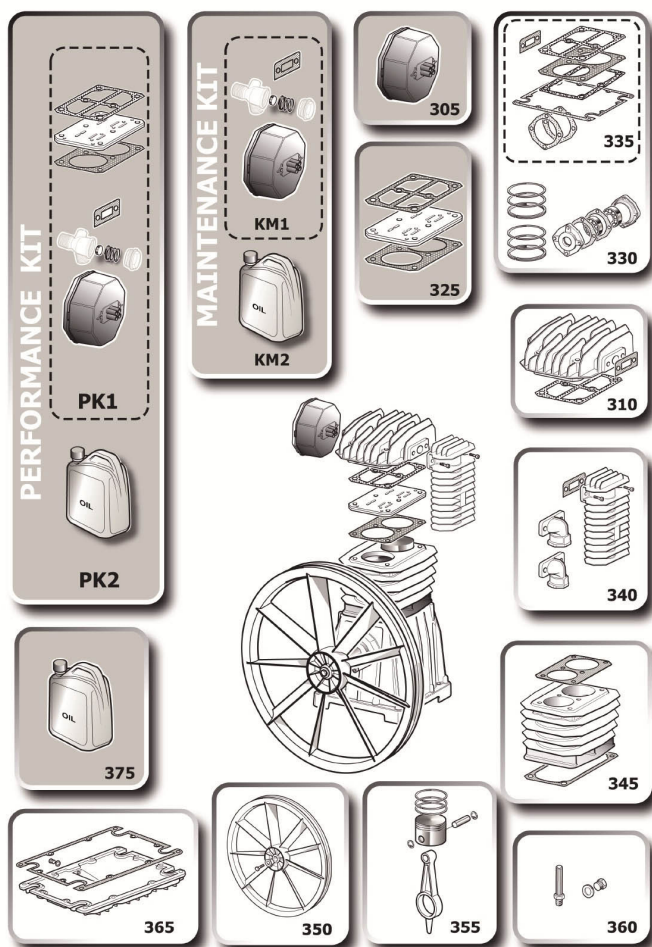
**Part**

<b>Nr.</b>	<b>Item</b>	<b>Description</b>	<b>End</b>	<b>Q.ty</b>
110	6210720000	Safety valve		1.00 PC
112	6231943500	Fitting		1.00 PC
114	6214348500	Wheel pin		2.00 PC
118	2236105466	Fitting		1.00 PC
125	2236110204	Pulley		1.00 PC
126	2236100517	Belt		1.00 PC
127	6245578000	Rilsan tube		0.27 M
131	2236112290	Pressure switch		1.00 PC
131	2236100434	Pressure switch	26/06/13	1.00 PC
132	6256395600	Cable		1.00 PC
134	6256395500	Motor - pressure switch cable		1.00 PC
135	6216128800	Motor		1.00 PC
142	2236111641	Belt guard		1.00 PC
145	2236112504	Delivery pipe		1.00 PC
145	2236111076	Delivery pipe	04/09/13	1.00 PC

## Information

Item 4116024913 Description BELTAIR PRO 90C4R 400/50

### NS19-NS19S-PAT38

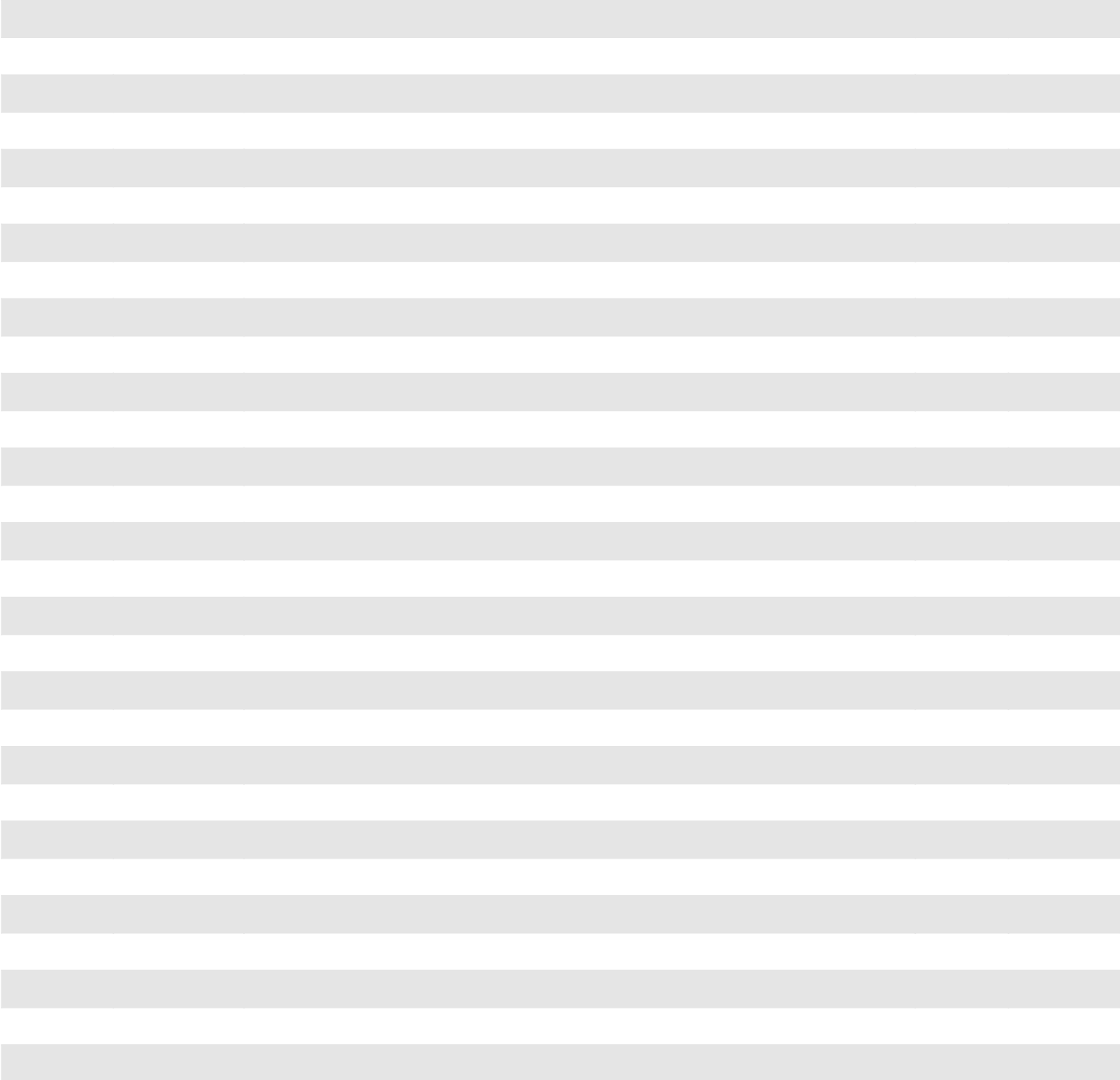


## Part

Nr.	Item	Description	End	Q.ty
305	2236111635	Air filter		1.00 PC
305	2236111635	Air filter	05/02/11	1.00 PC
305	2236111635	Air filter	09/02/11	1.00 PC
310	2901325044	Cylinder head kit		1.00 PC
325	2236112518	Valve plate kit		1.00 PC
330	2901325046	Upgrade kit		1.00 PC
335	2901325045	Joints kit		1.00 PC
340	2901325047	Aftercooler kit		1.00 PC
345	2236112435	Cylinder kit		1.00 PC

**Part**

Nr.	Item	Description	End	Q.ty
350	2901325050	Flywheel kit		1.00 PC
355	2236111620	Conrod-piston kit		1.00 PC
355	2236111620	Conrod-piston kit	07/02/12	2.00 PC
355	2236111620	Conrod-piston kit	17/04/13	2.00 PC
360	2901325049	Oil level kit		1.00 PC
365	2236112438	Crankcase cover kit		1.00 PC
375	1630020700	Oil can		1.00 PC
KM1	8973037864	Maintenance kit		1.00 PC
KM2	8973037865	Maintenance kit + oil		1.00 PC
PK1	8973037657	Performance kit		1.00 PC
PK2	8973037658	Performance kit + oil		1.00 PC

The lower portion of the page consists of 20 empty table rows, each having the same four-column structure as the rows above: **Nr.**, **Item**, **Description**, **End**, and **Q.ty**.